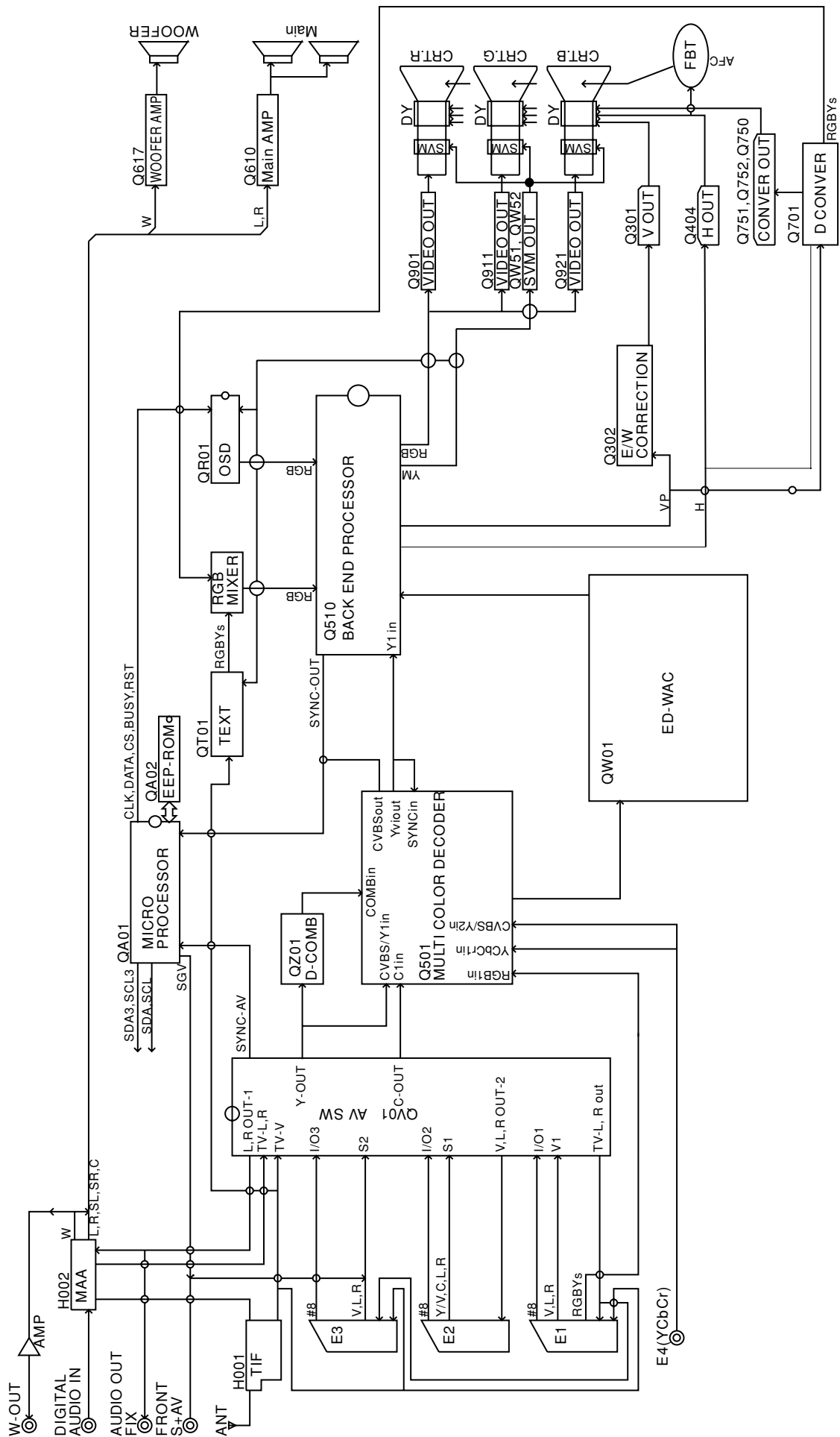


CIRCUIT BLOCK DIAGRAM



1 2 3 4 5 6 7 8

A

B

C

D

E

F

A

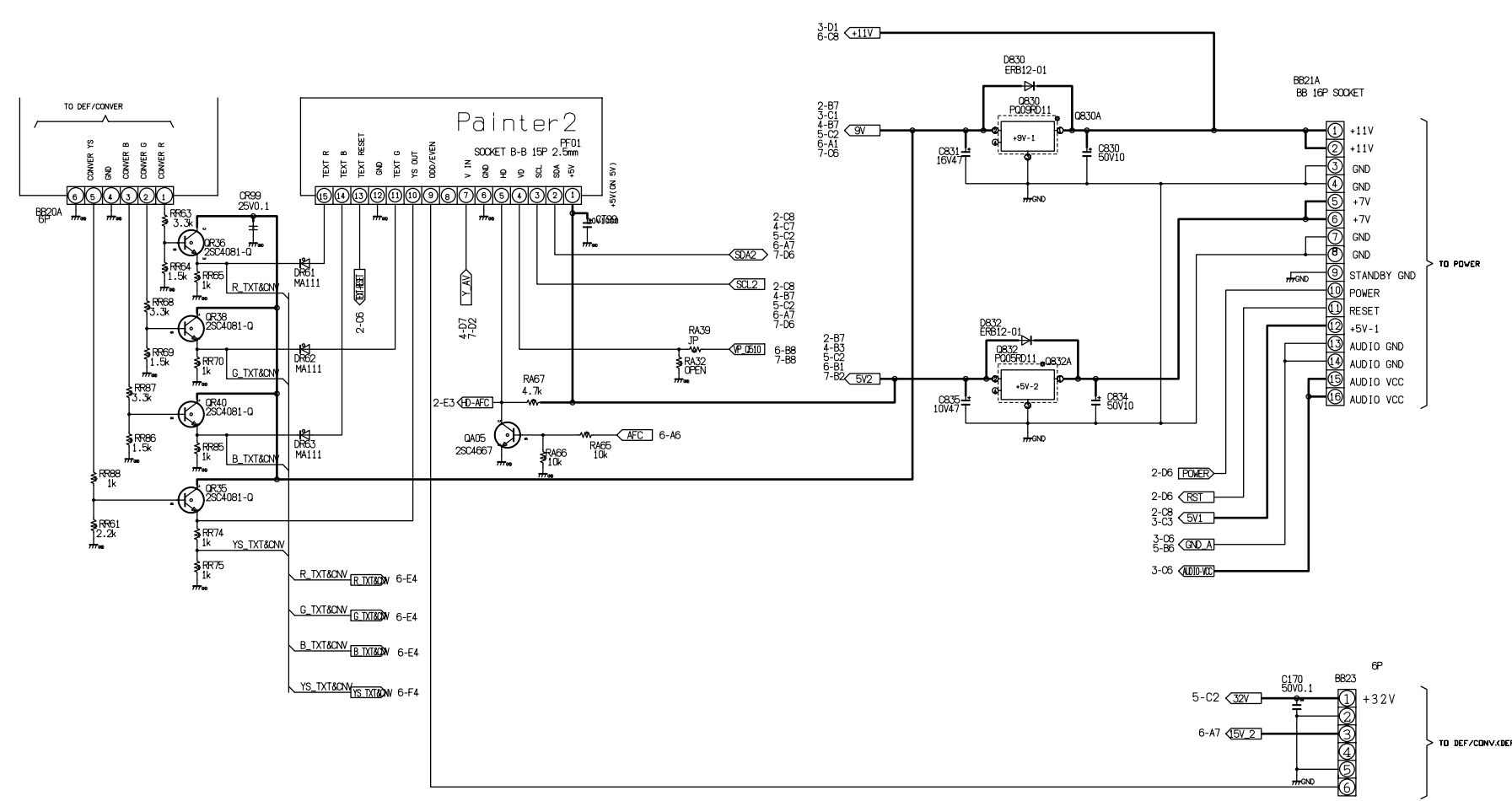
B

C

D

E

F



SIGNAL (OTHERS)
42PW23P
[SHEET-1]

1

2

3

4

A

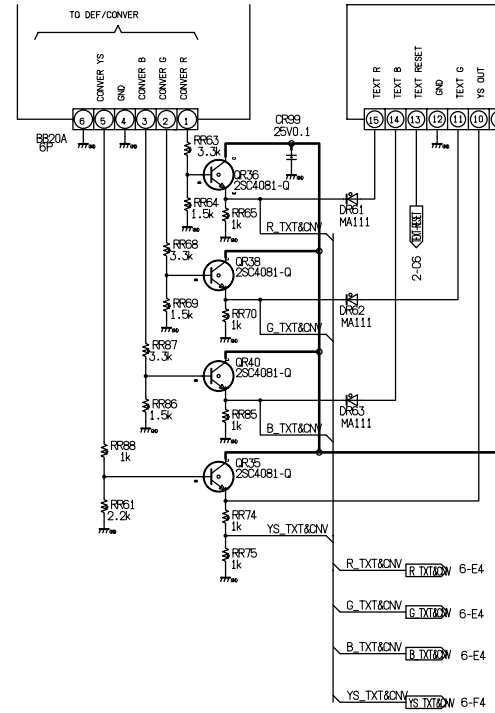
B

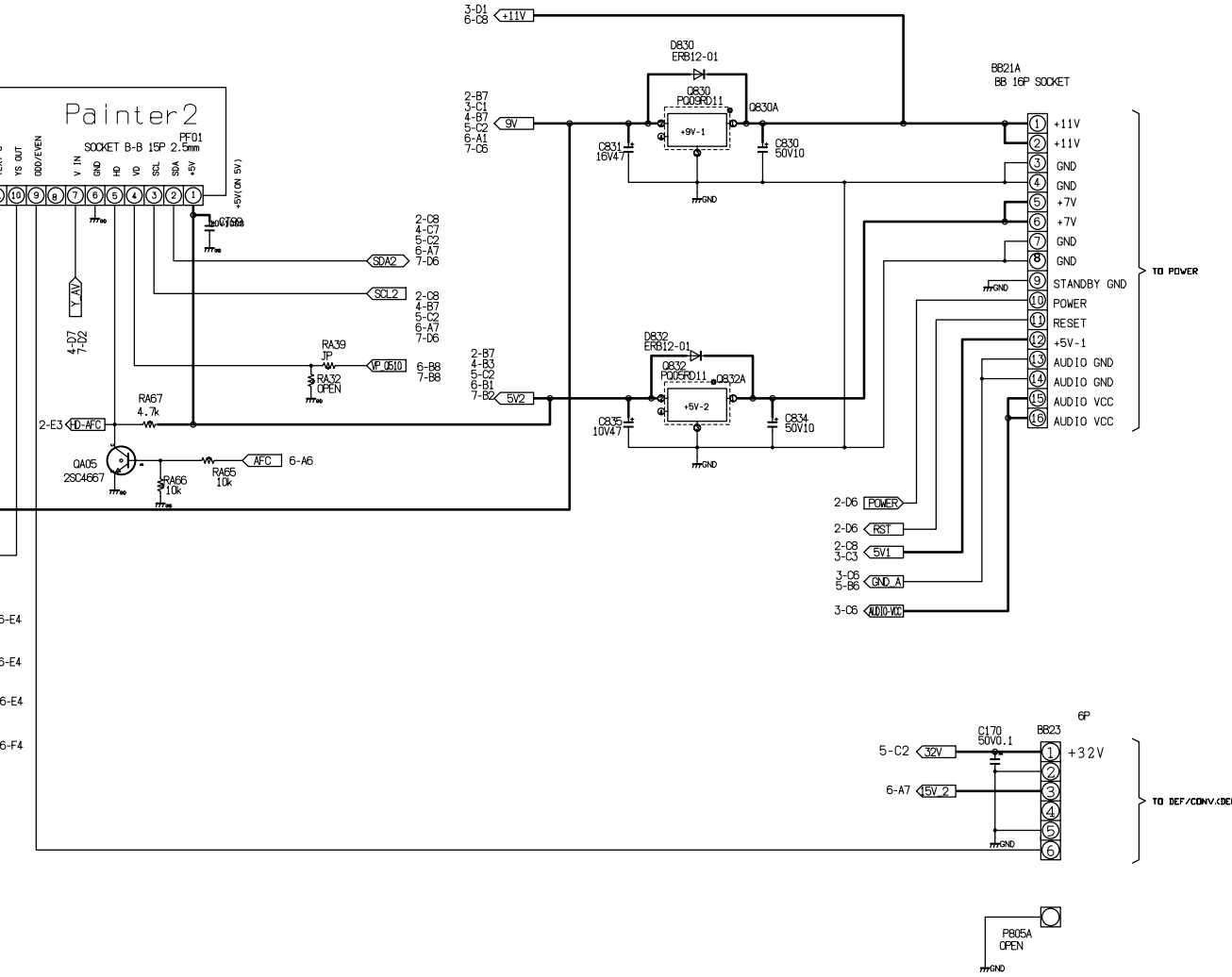
C

D

E

F





SIGNAL (OTHERS)
 42PW23P
 [SHEET-1]

1 2 3 4 5 6 7 8

A

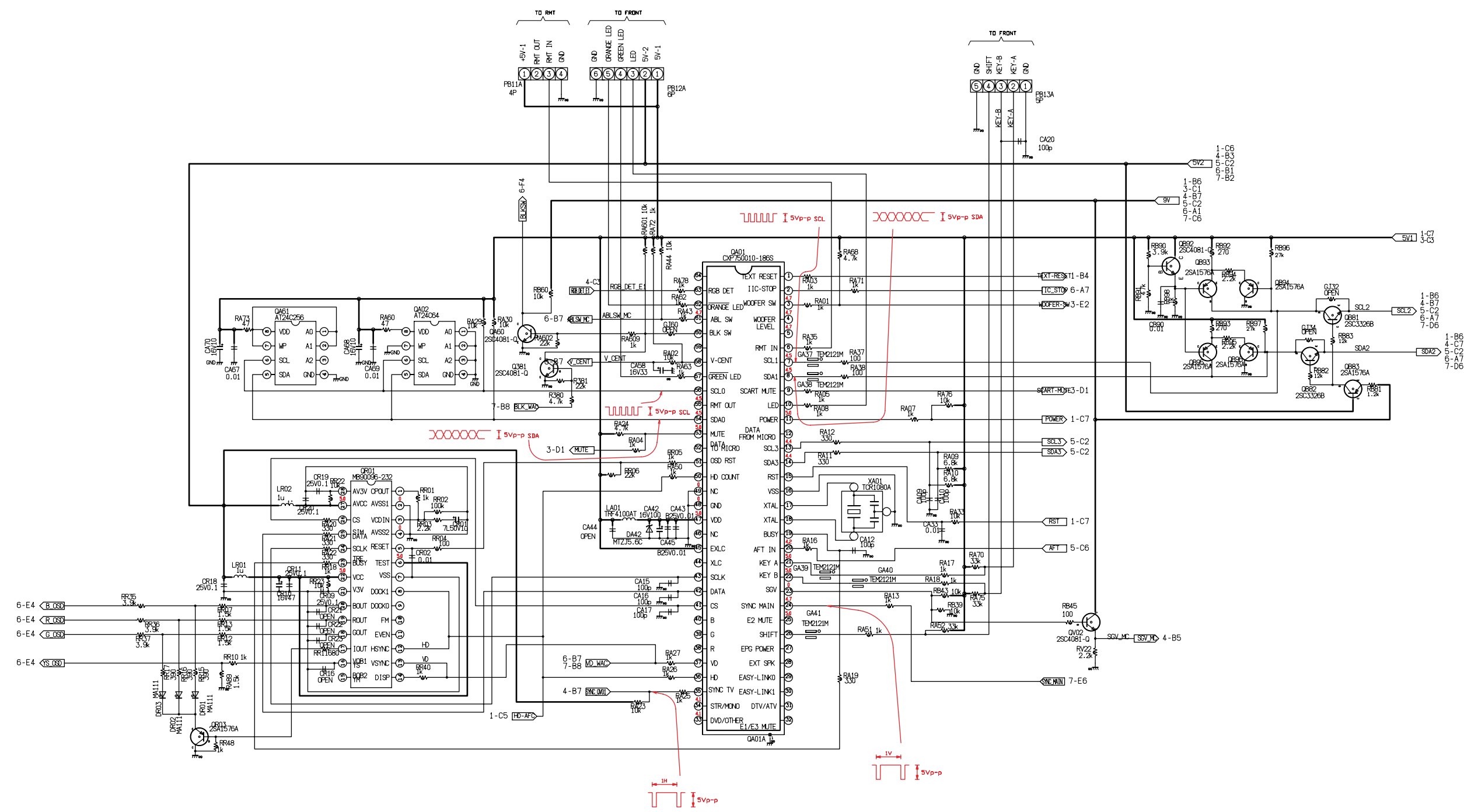
B

C

D

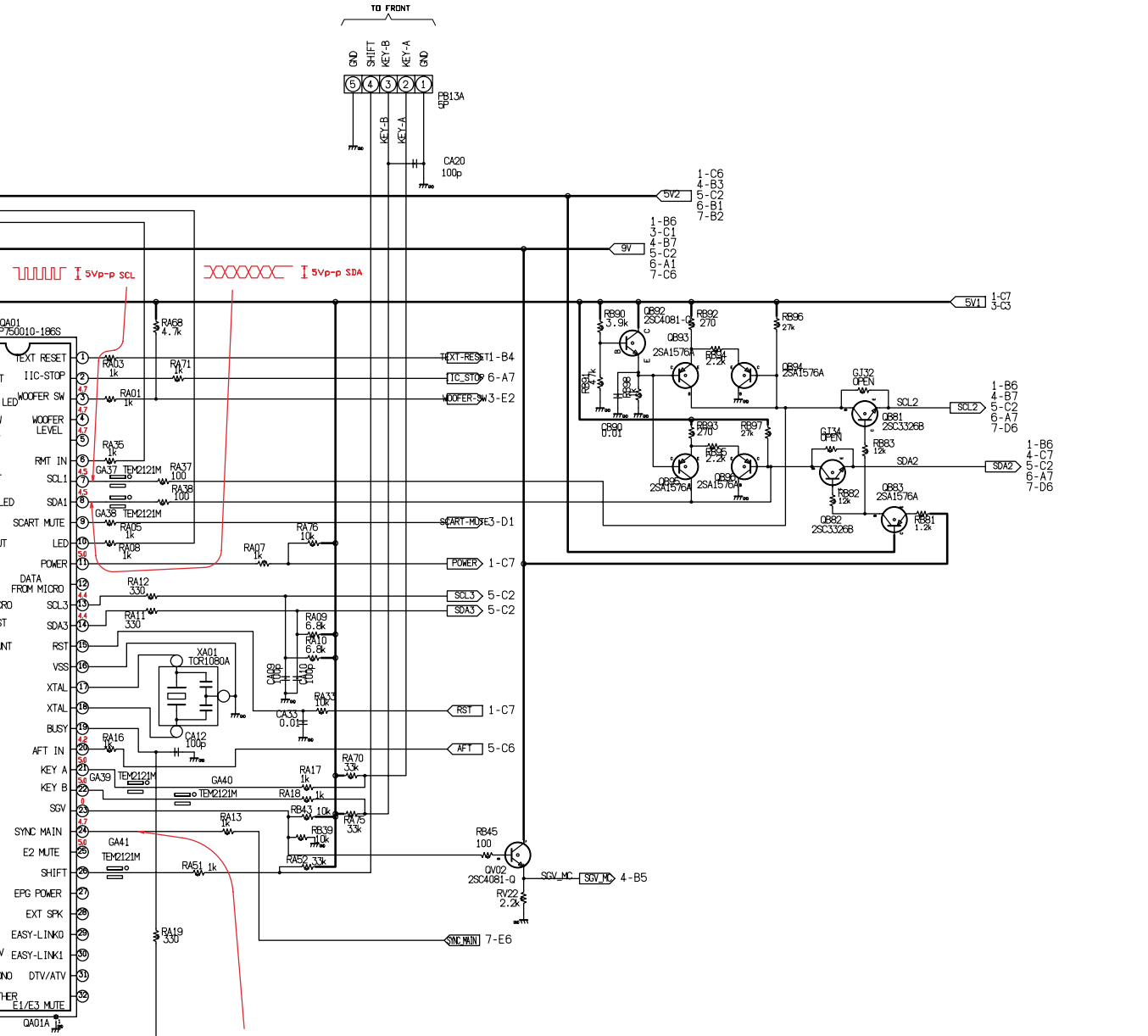
E

F



SIGNAL (M-CON)
 42PW23P
 [SHEET-2]

1 2 3 4 5 6 7 8



SIGNAL (M-CON)
42PW23P

[SHEET-2]

1 2 3 4 5 6 7 8

A

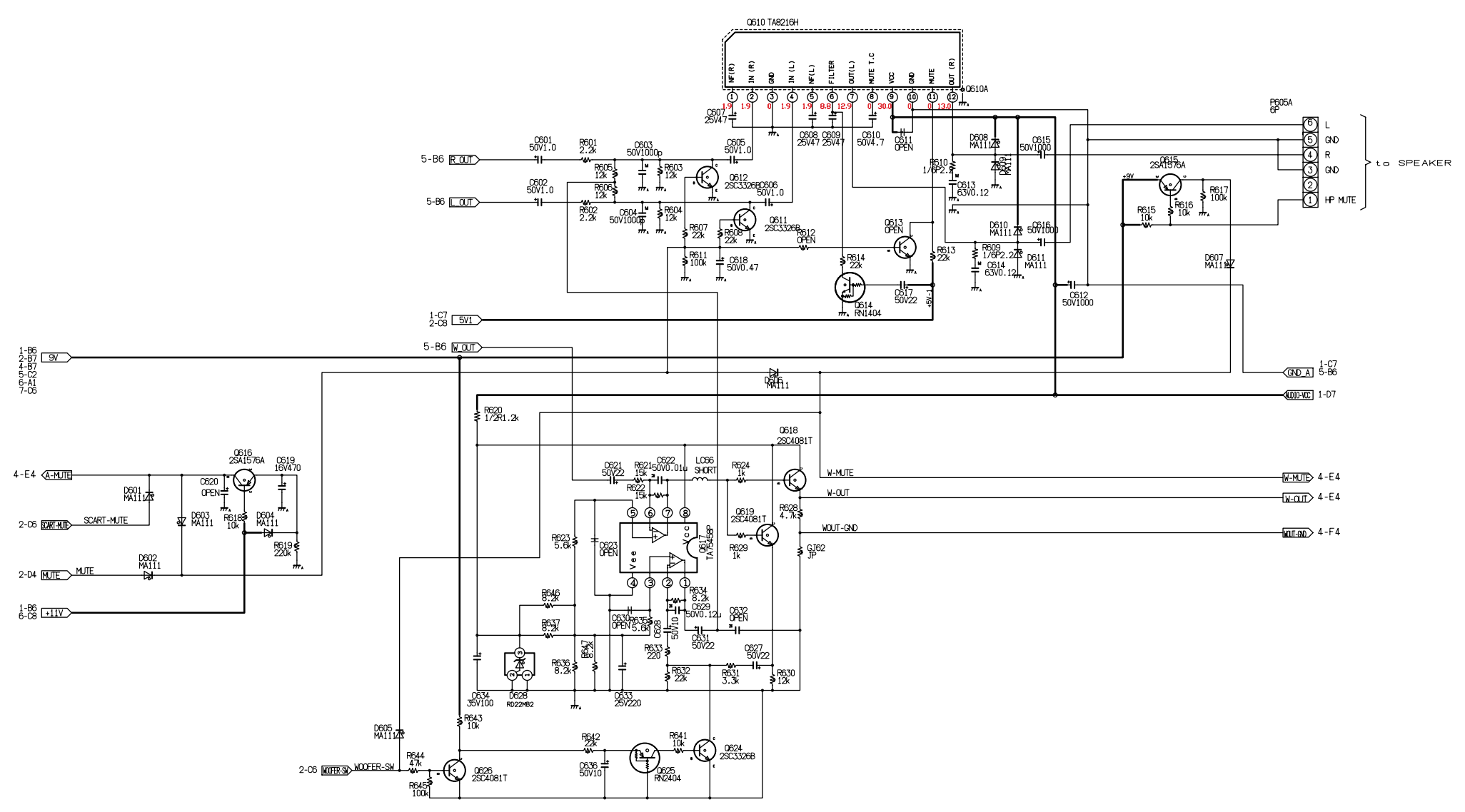
B

C

D

E

F



SIGNAL (AUDIO)
 42PW23P
 [SHEET-3]

1 2 3 4 5 6 7 8

1

2

3

4

A

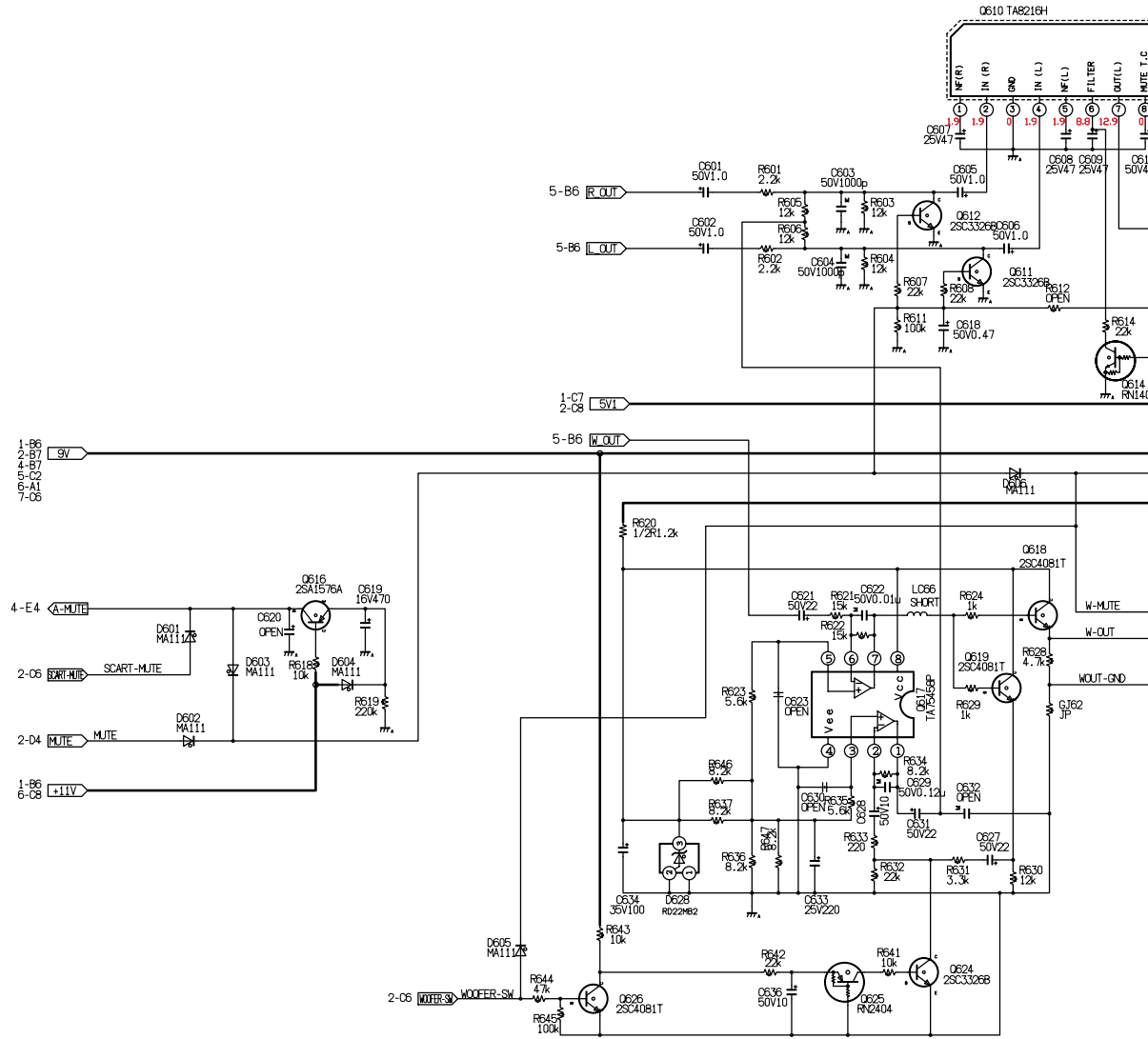
B

C

D

E

F



A

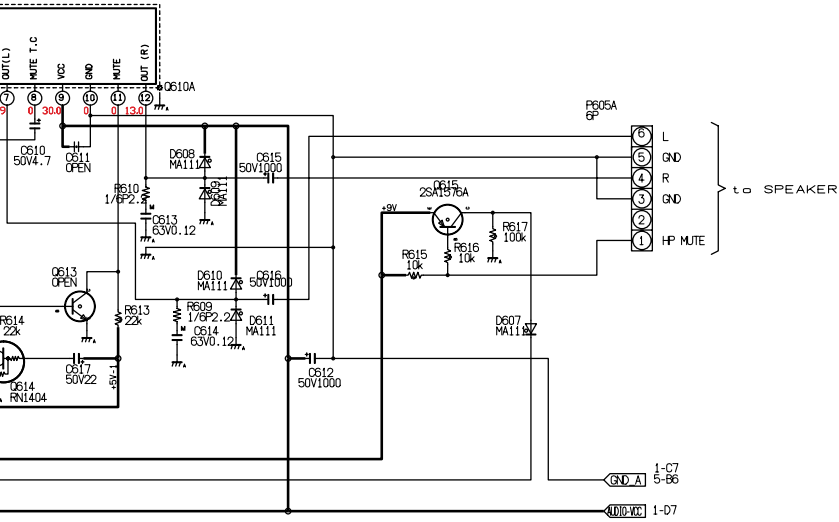
B

C

D

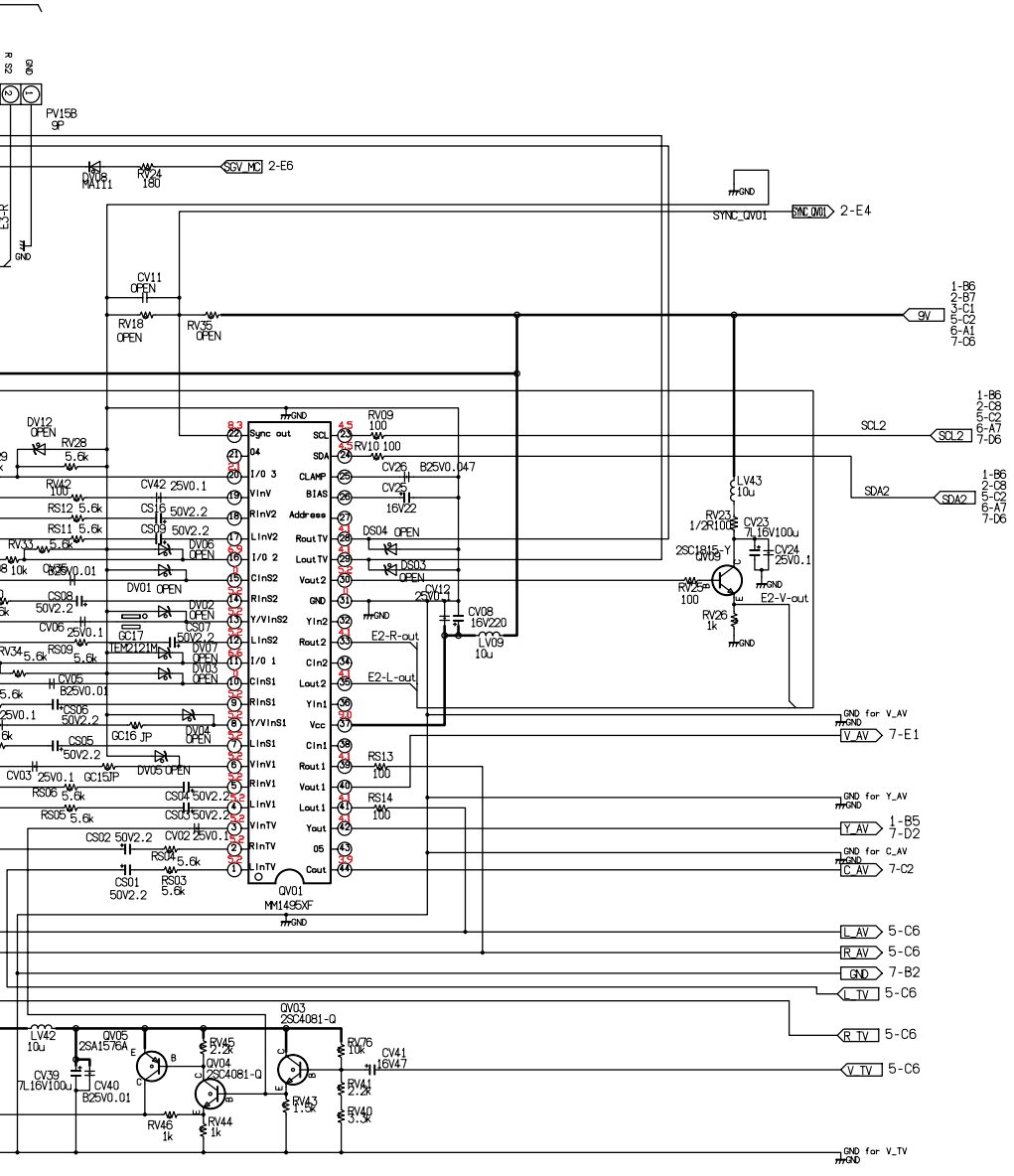
E

F



SIGNAL (AUDIO)
42PW23P

[SHEET-3]



SIGNAL (AV)
 42PW23P
 [SHEET-4]

1 2 3 4 5 6 7 8

A A

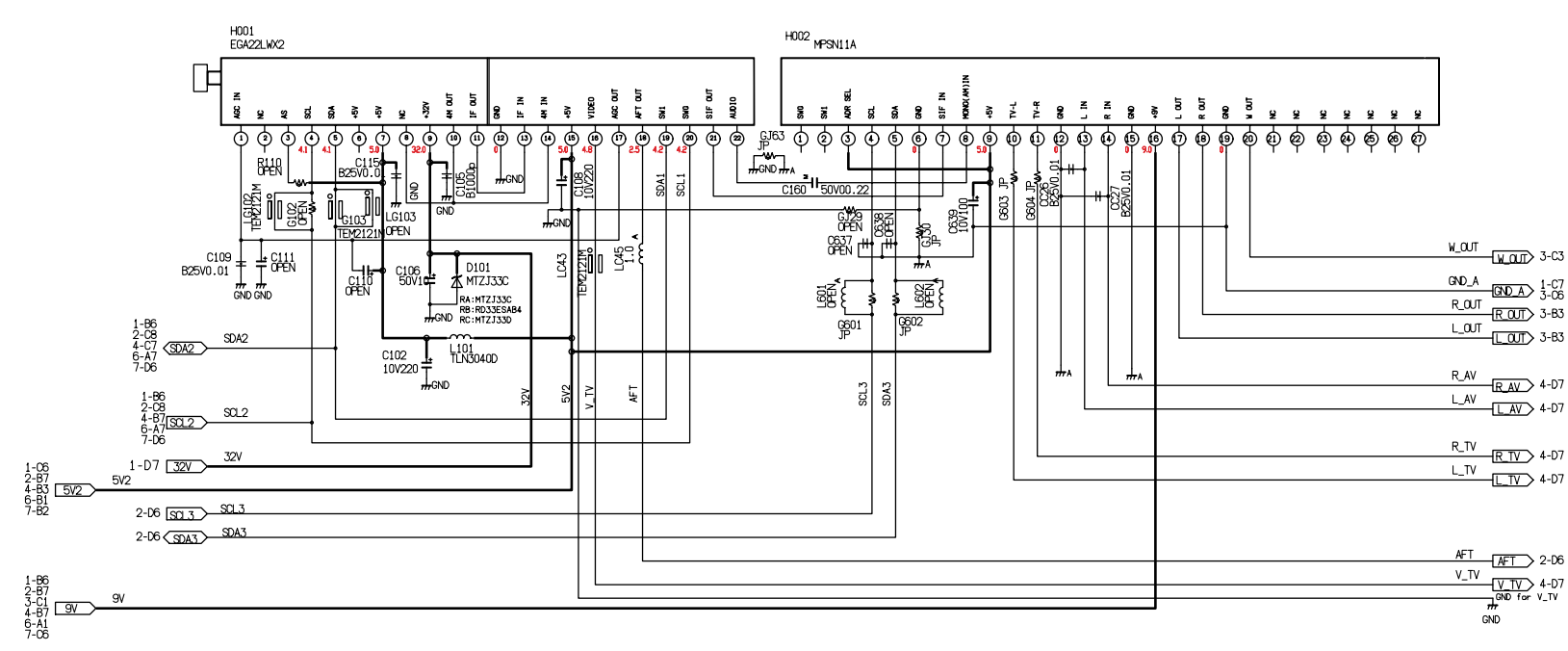
B B

C C

D D

E E

F F



SIGNAL(TUNER/IF/MA)
42PW23P

[SHEET-5]

1 2 3 4 5 6 7 8

5

6

7

8

A

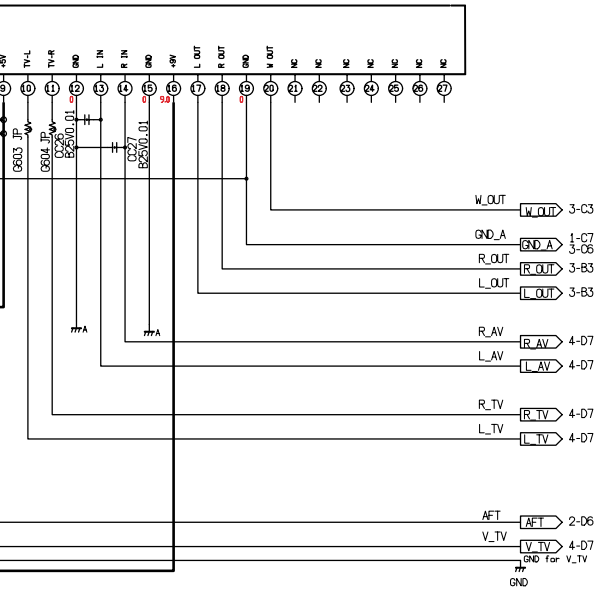
B

C

D

E

F



SIGNAL (TUNER / IF / MA)
42PW23P

[SHEET-5]

5

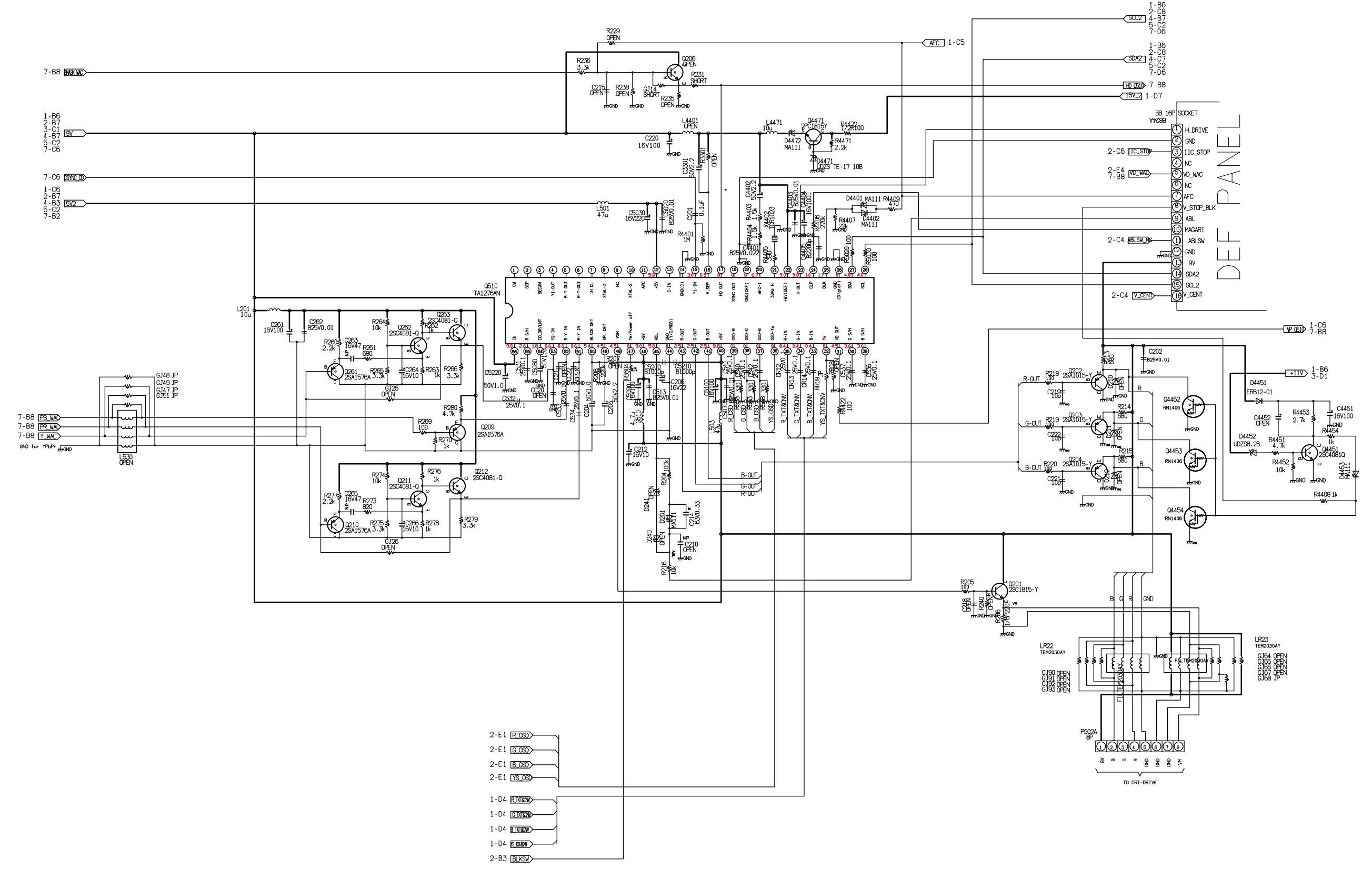
6

7

8

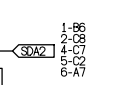
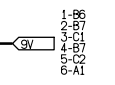
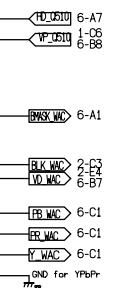
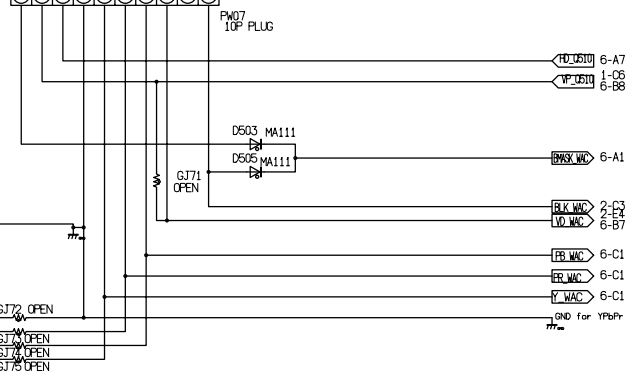
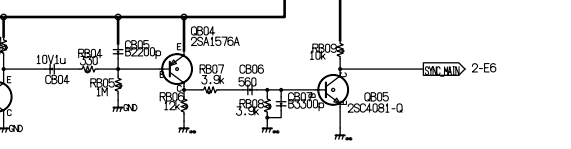
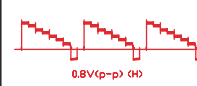
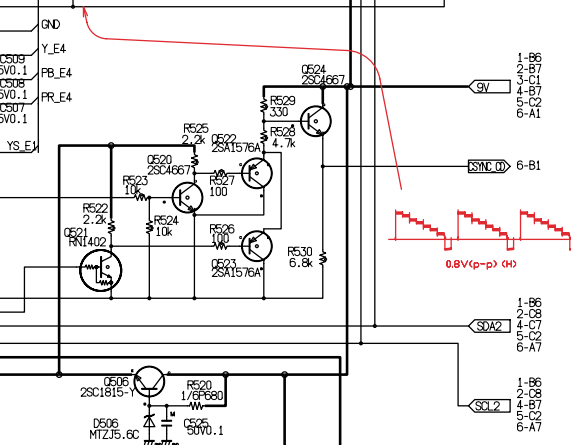
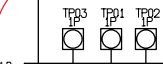
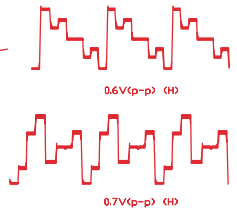
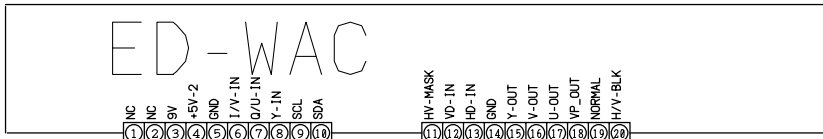
A
B
C
D
E
F

1 2 3 4 5 6 7 8



SIGNAL (BEP)
42PW23P
[SHEET-6]

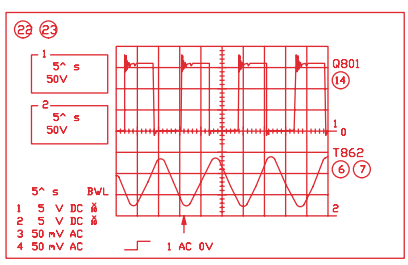
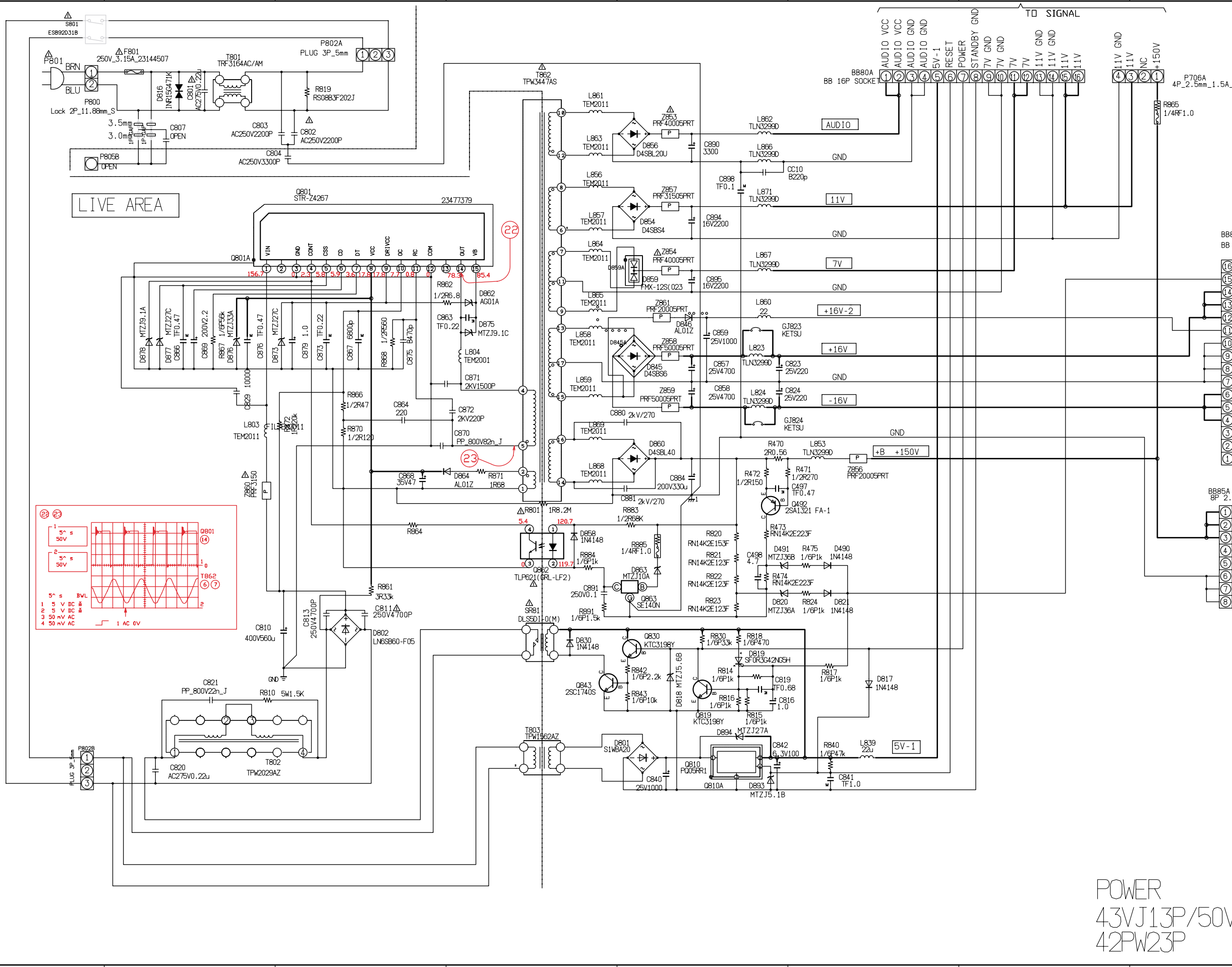
1 2 3 4 5 6 7 8



SIGNAL (MCD)
42PW23P
[SHEET-7]

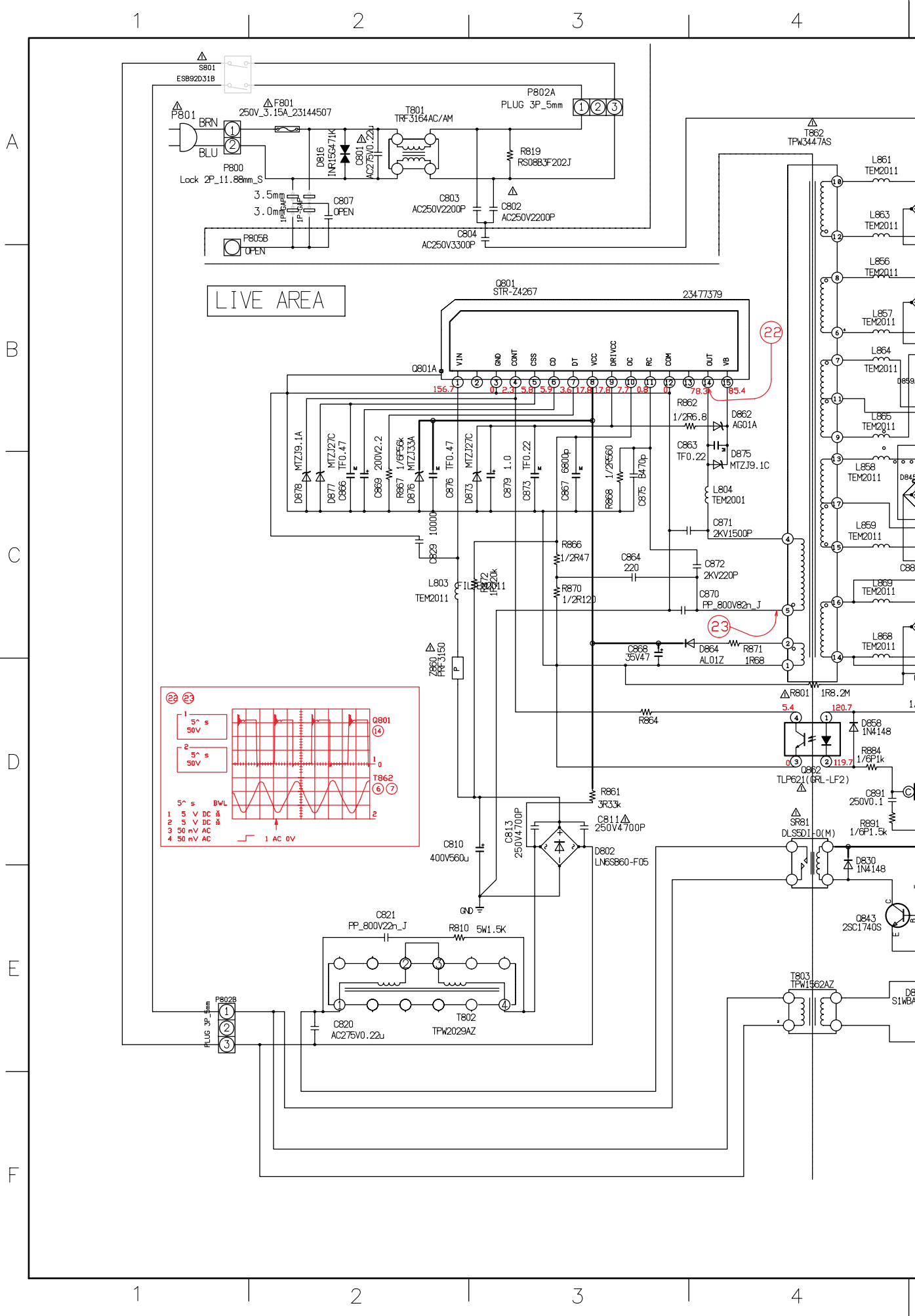
1 2 3 4 5 6 7 8

A
B
C
D
E
F

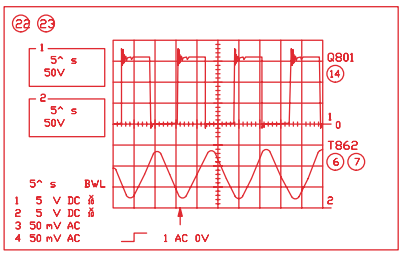


POWER
 43VJ13P/50VJ23P
 42PW23P

1 2 3 4 5 6 7 8



LIVE AREA



22

23

5.4

120.7

119.7

119.7

119.7

119.7

119.7

119.7

119.7

119.7

119.7

119.7

119.7

119.7

119.7

119.7

119.7

119.7

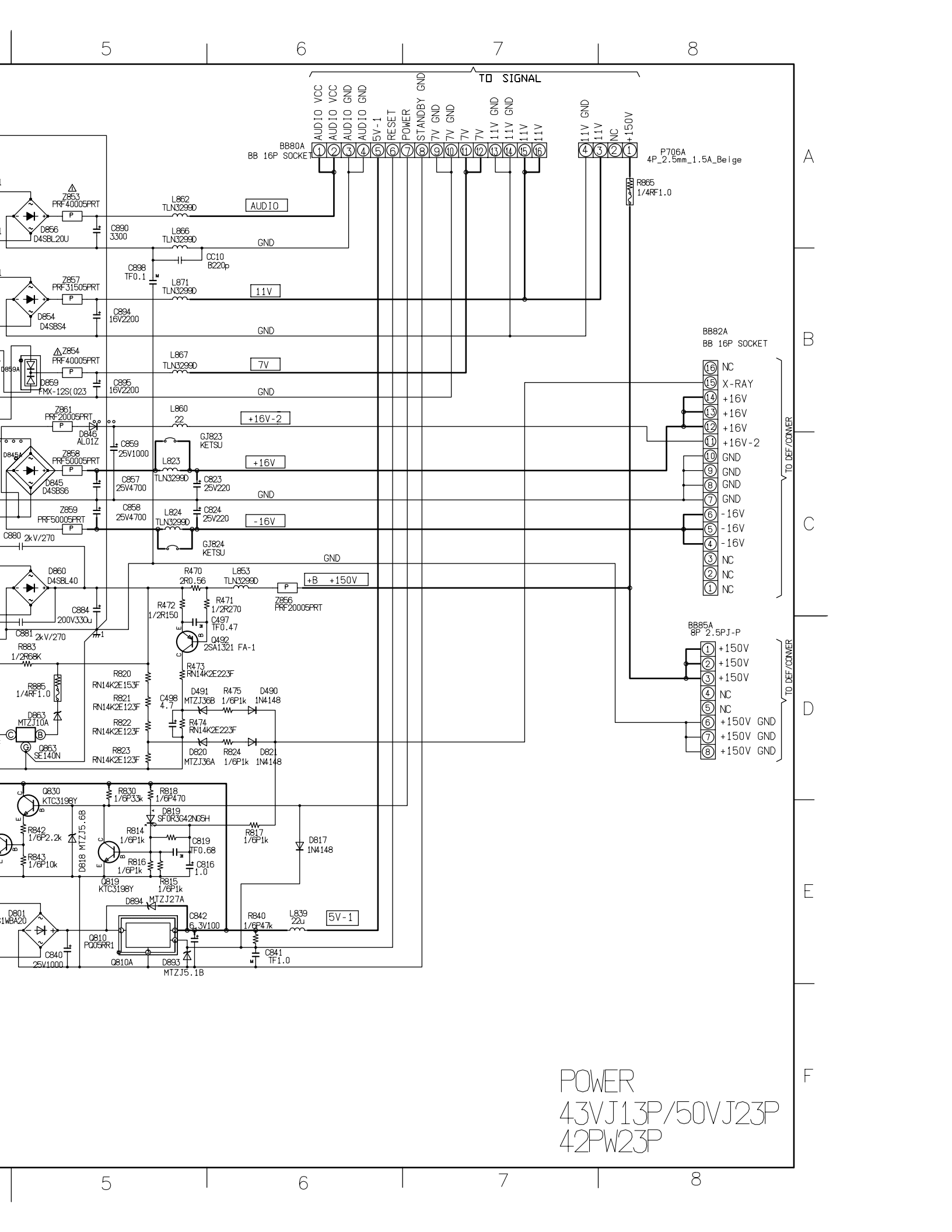
119.7

119.7

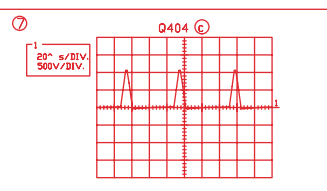
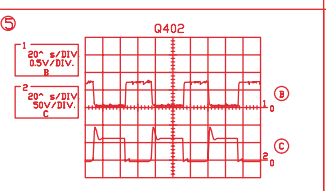
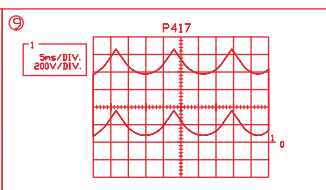
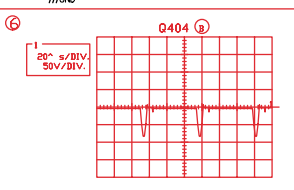
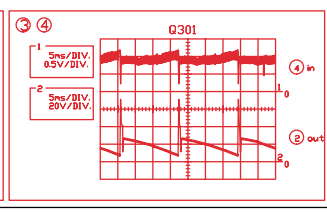
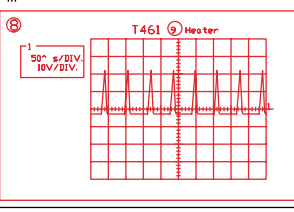
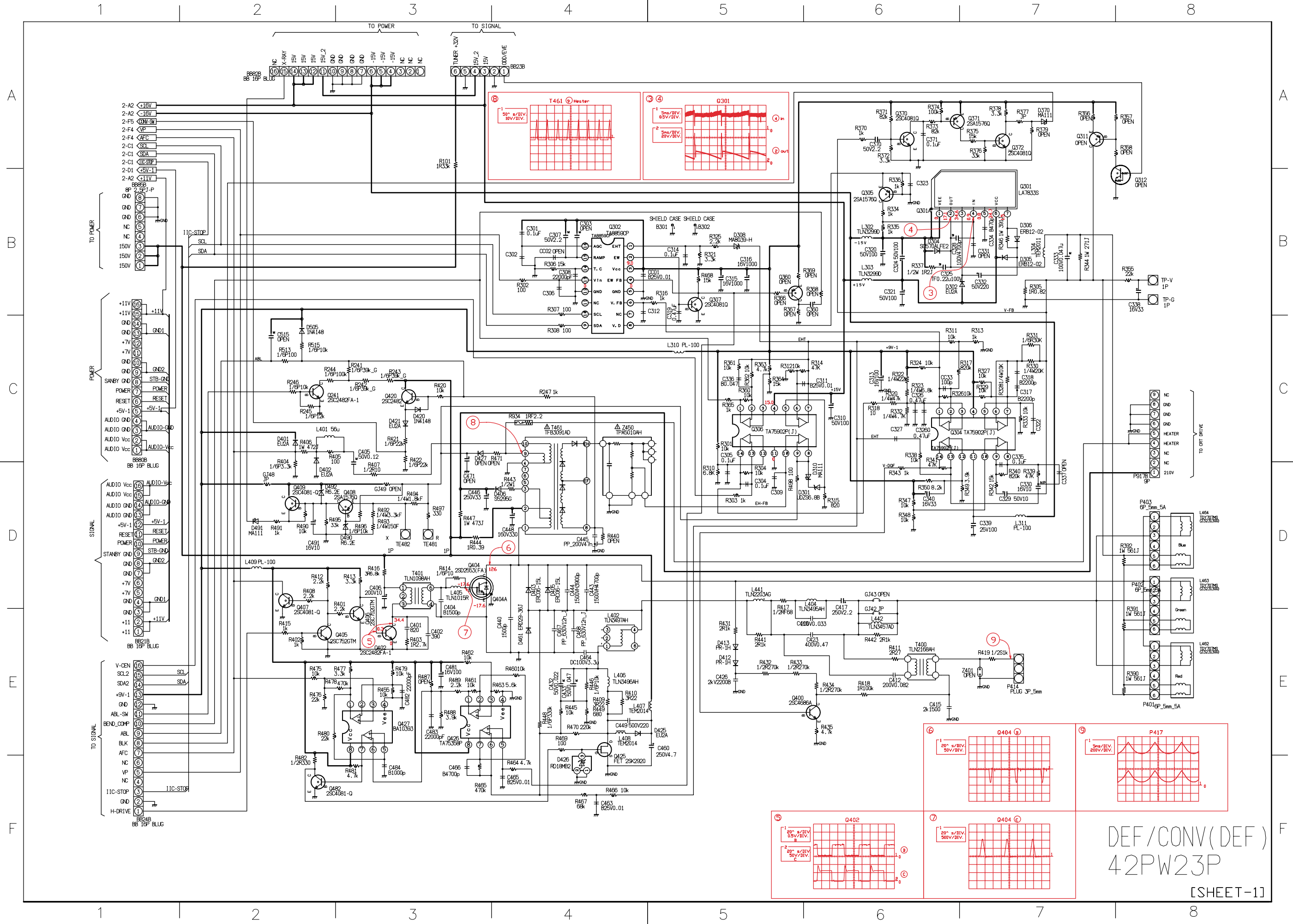
119.7

119.7

119.7



POWER
 43VJ13P/50VJ23P
 42PW23P



DEF/CONV(DEF)
42PW23P

A

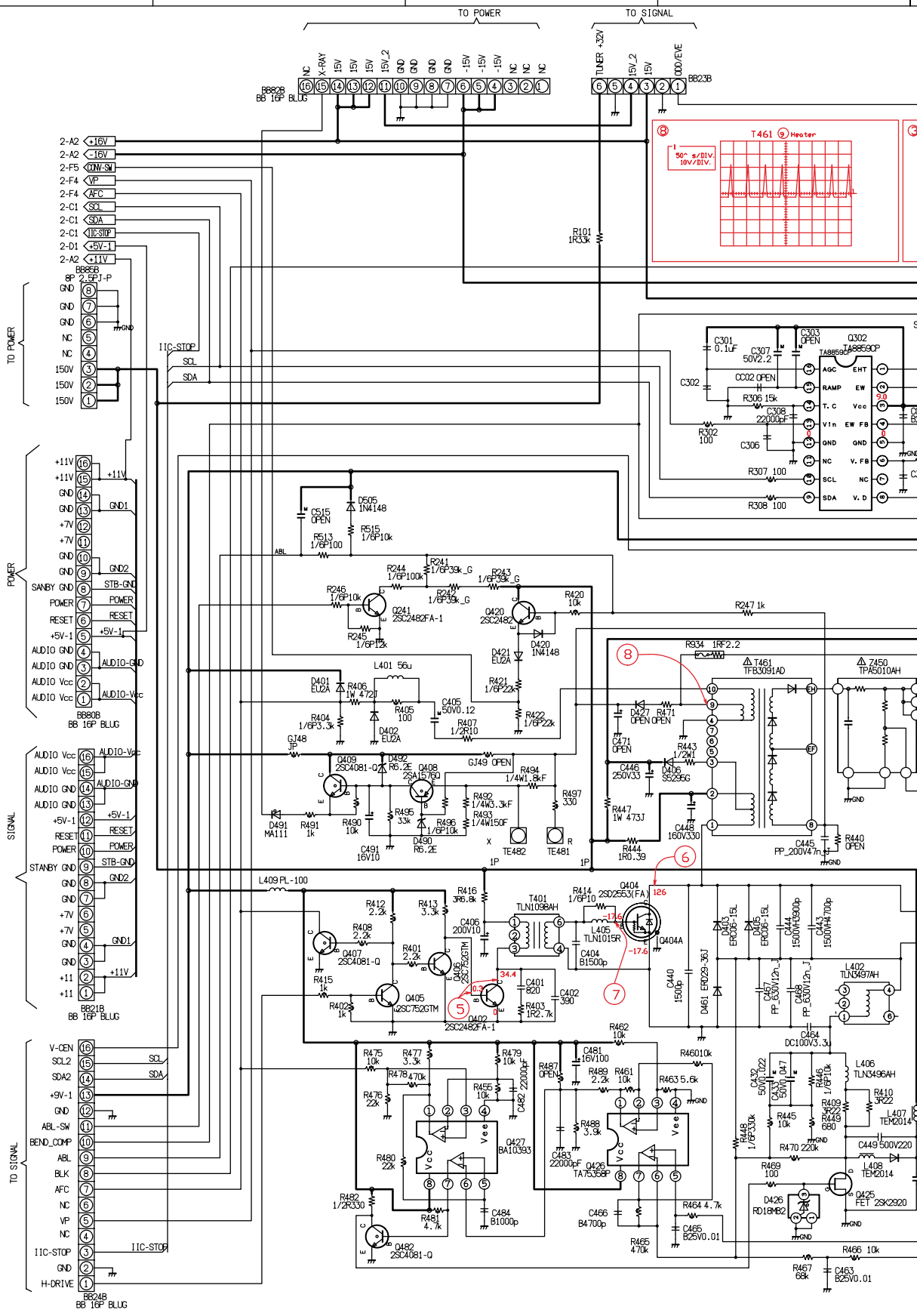
B

C

D

E

F



A

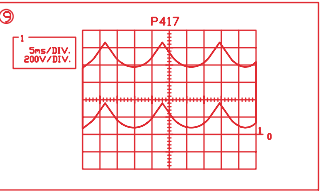
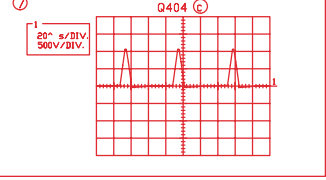
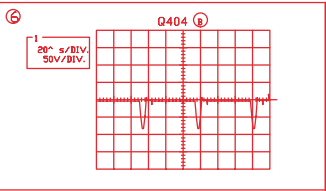
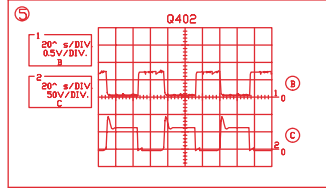
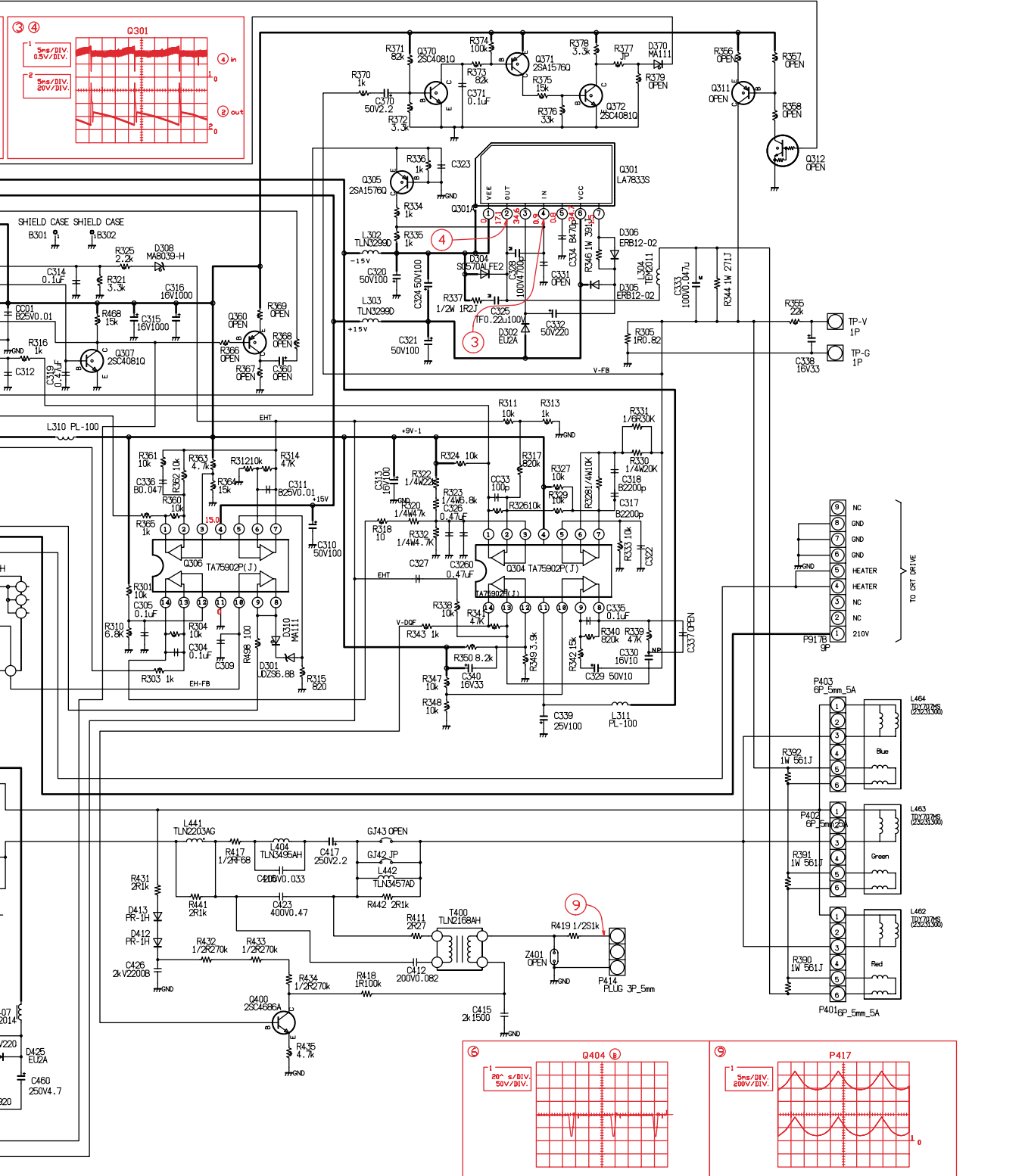
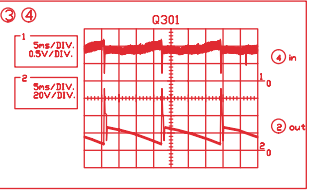
B

C

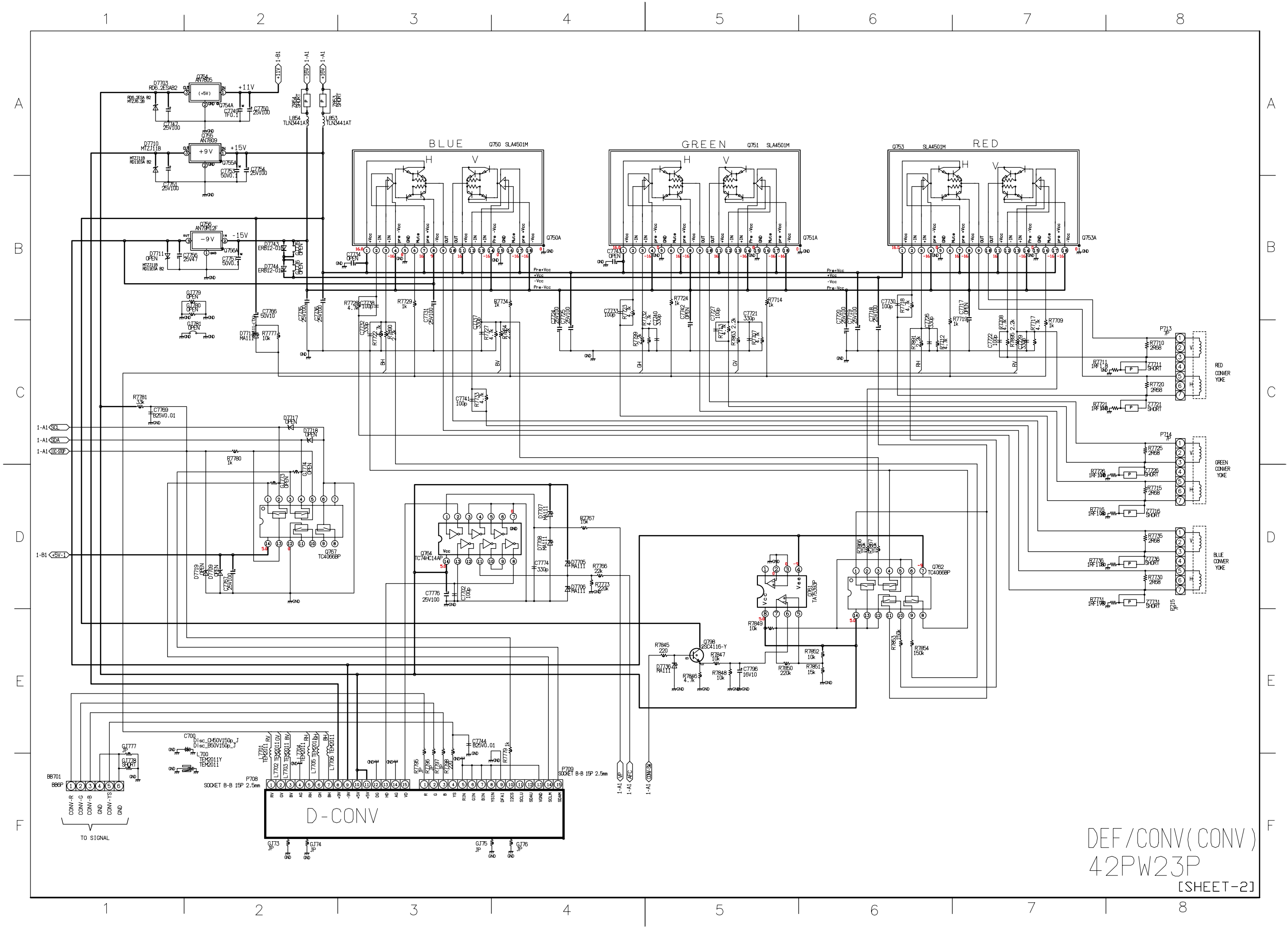
D

E

F



DEF/CONV(DEF)
42PW23P



DEF/CONV(CONV)
 42PW23P
 [SHEET-2]

5

6

7

8

A

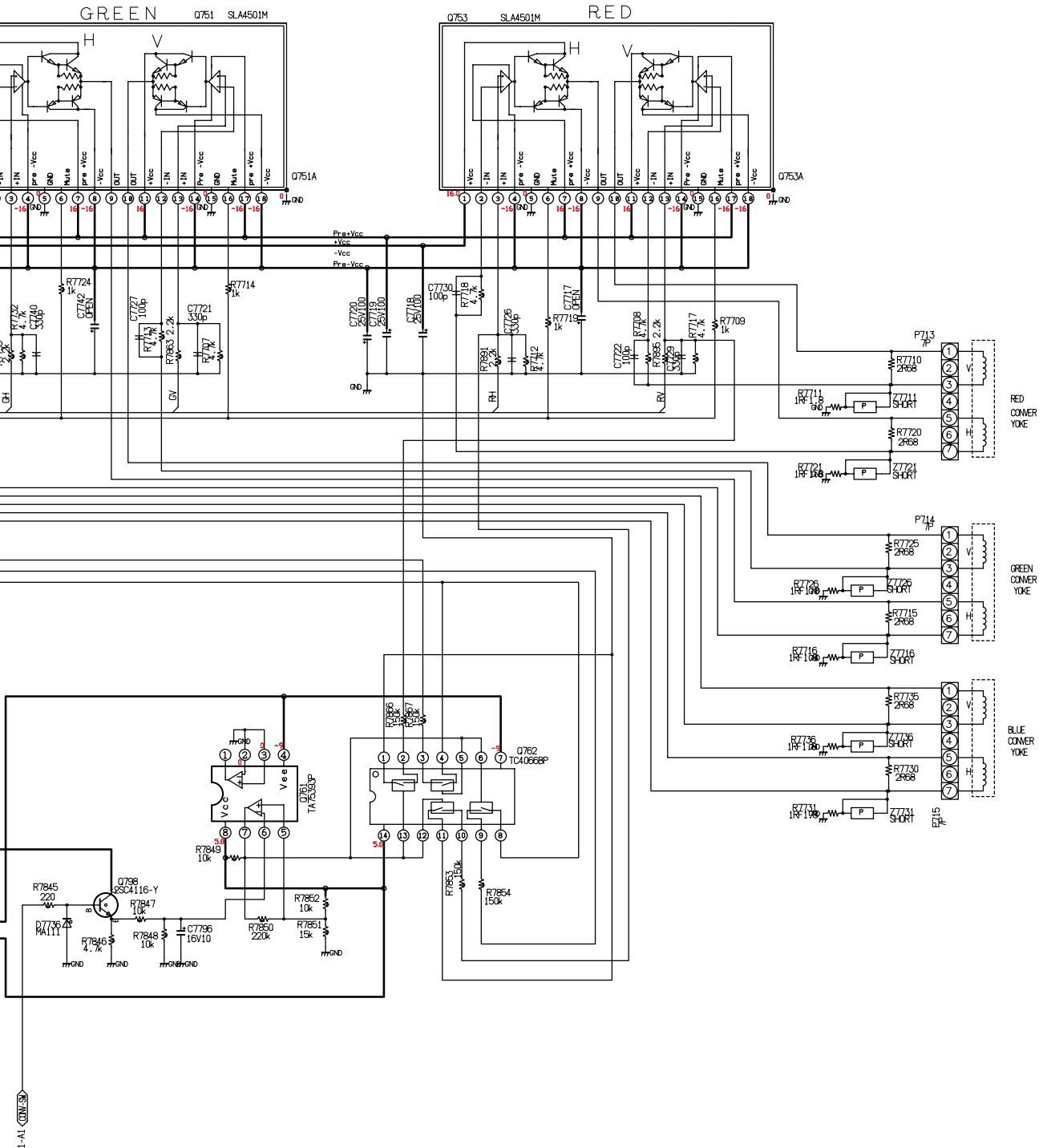
B

C

D

E

F



DEF/CONV(CONV)
 42PW23P
 [SHEET-2]

5

6

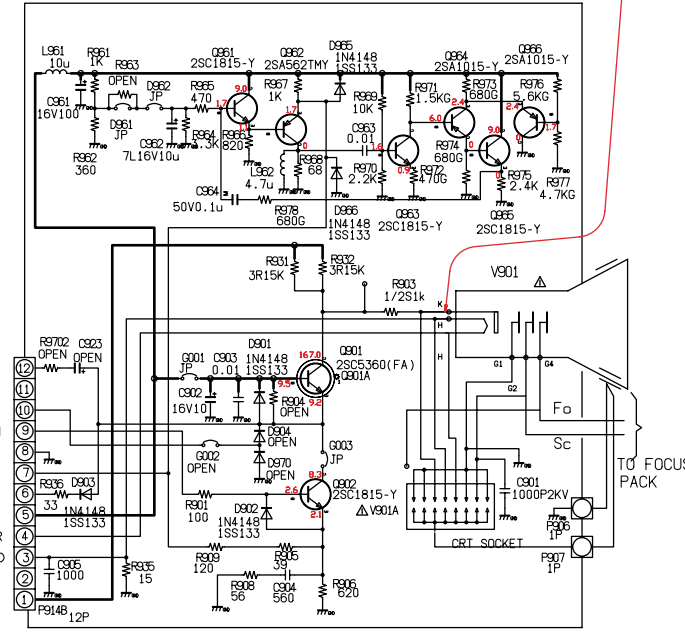
7

8

1 2 3 4 5 6 7 8

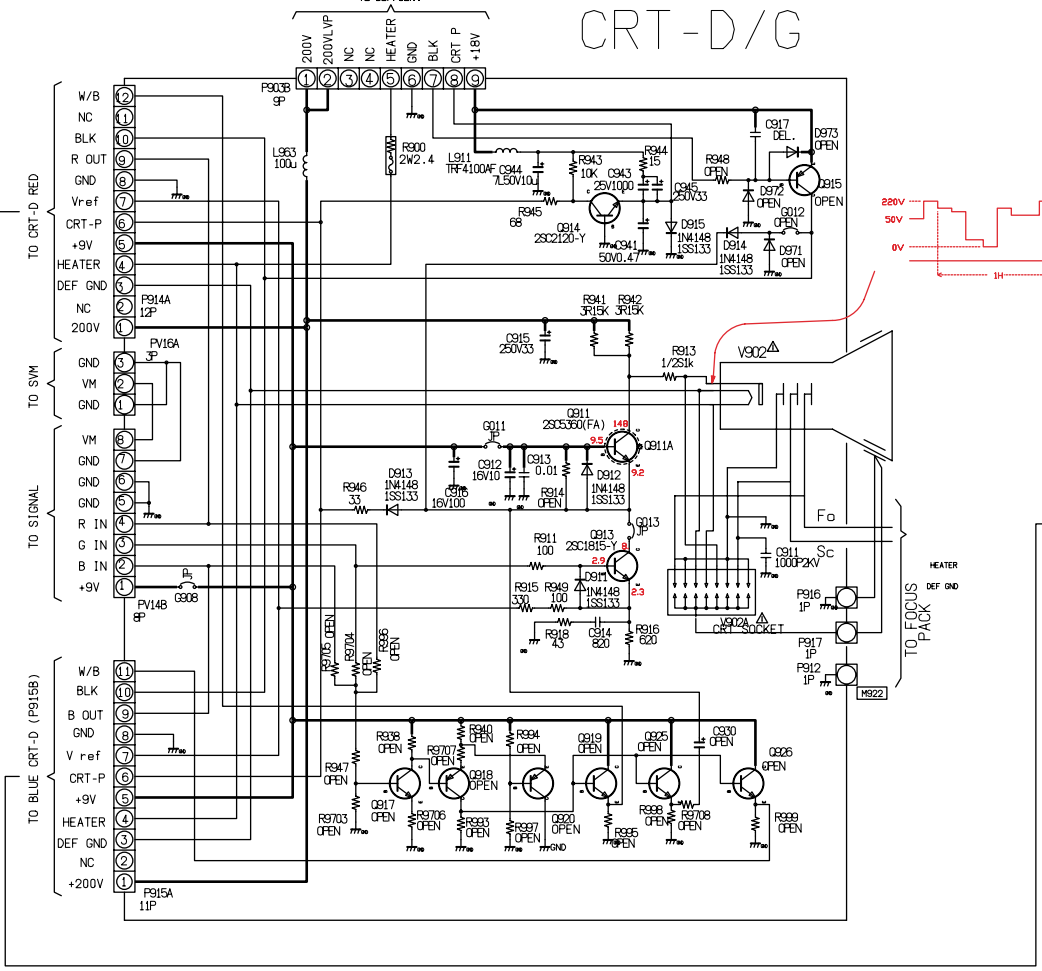
A

CRT-D/R

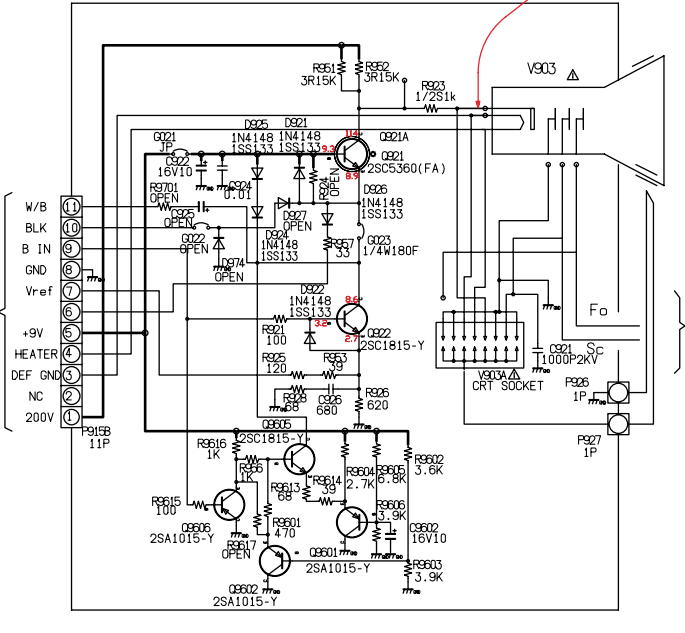


B

CRT-D/G

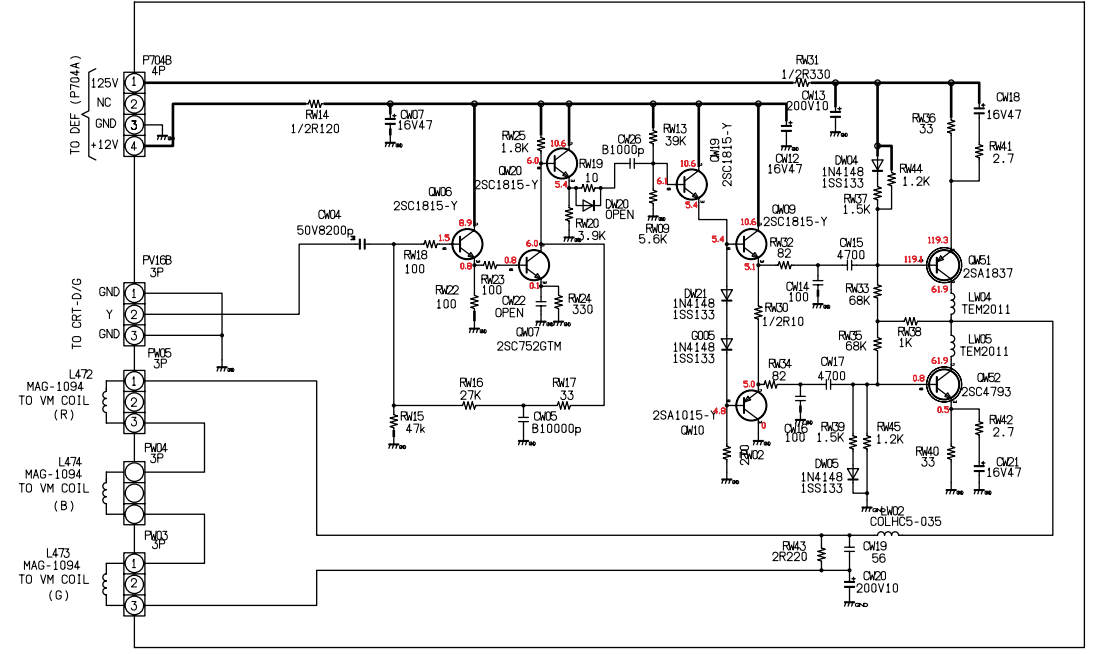


CRT-D/B



C

SVM



D

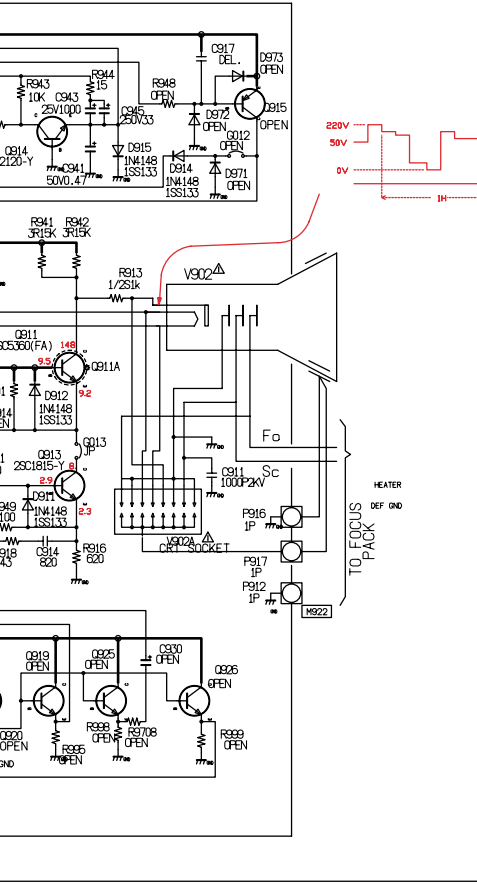
E

F

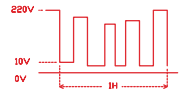
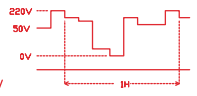
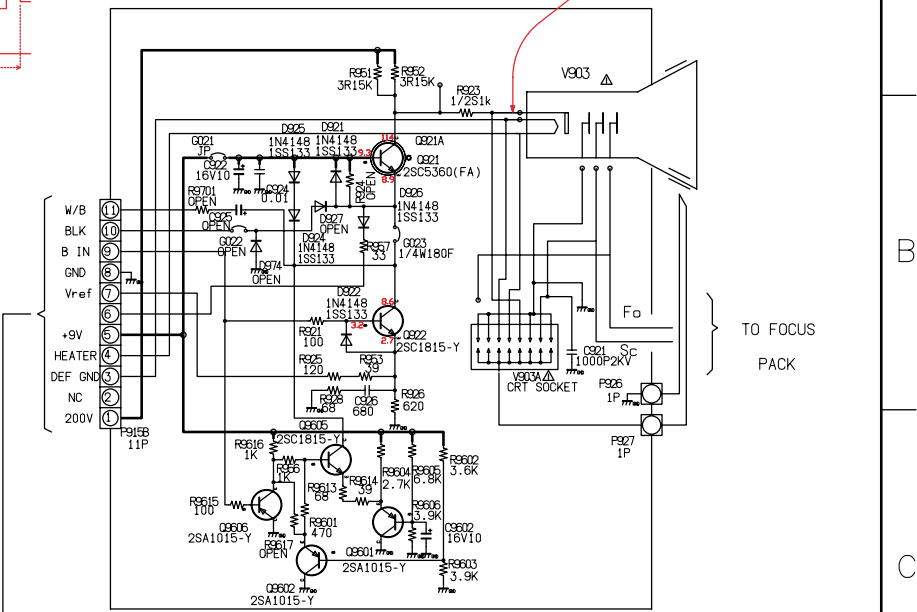
CRT-D/SVM
42PW23P

1 2 3 4 5 6 7 8

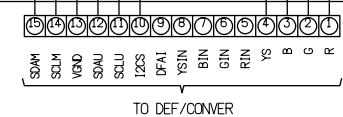
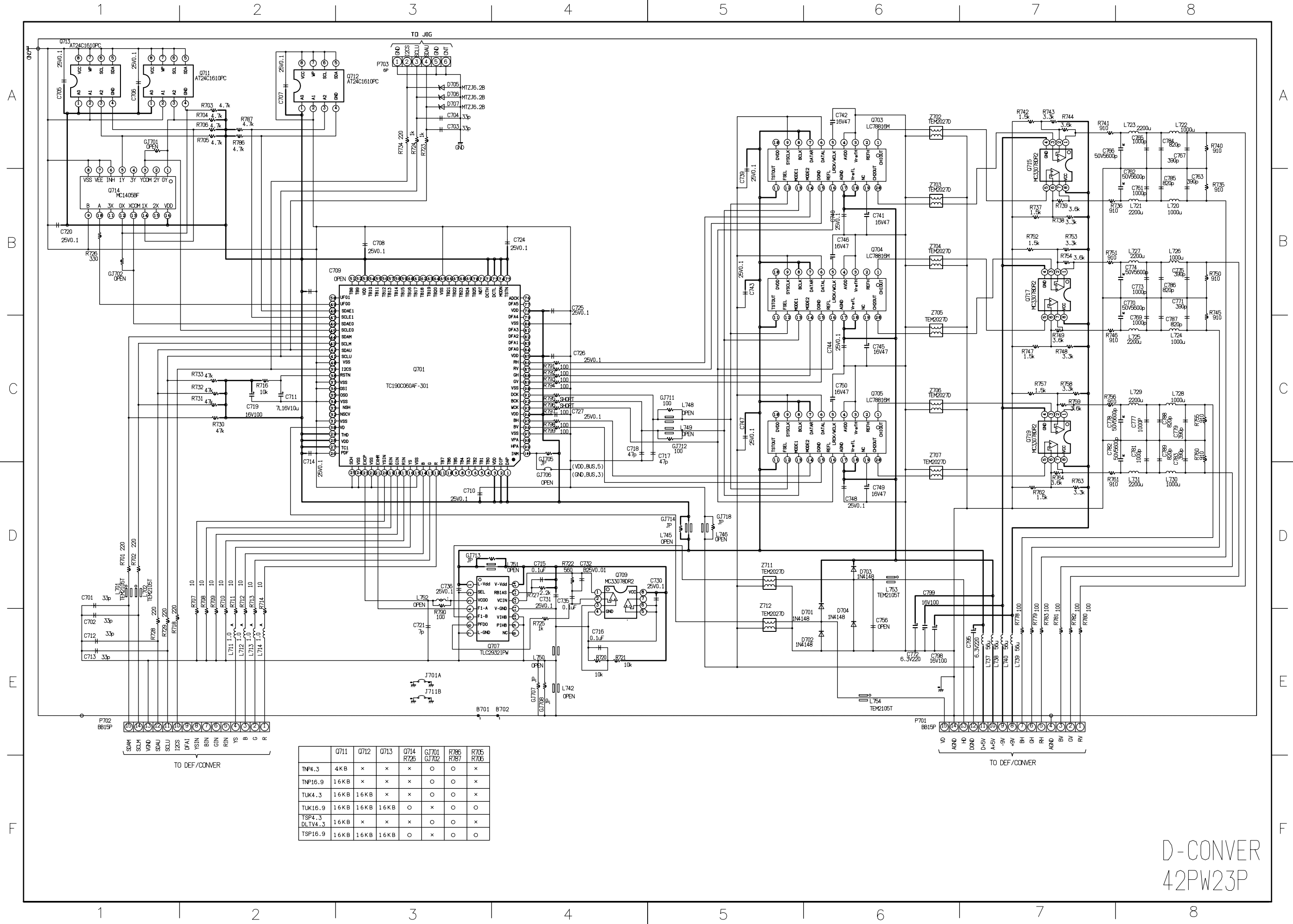
CRT-D/G



CRT-D/B

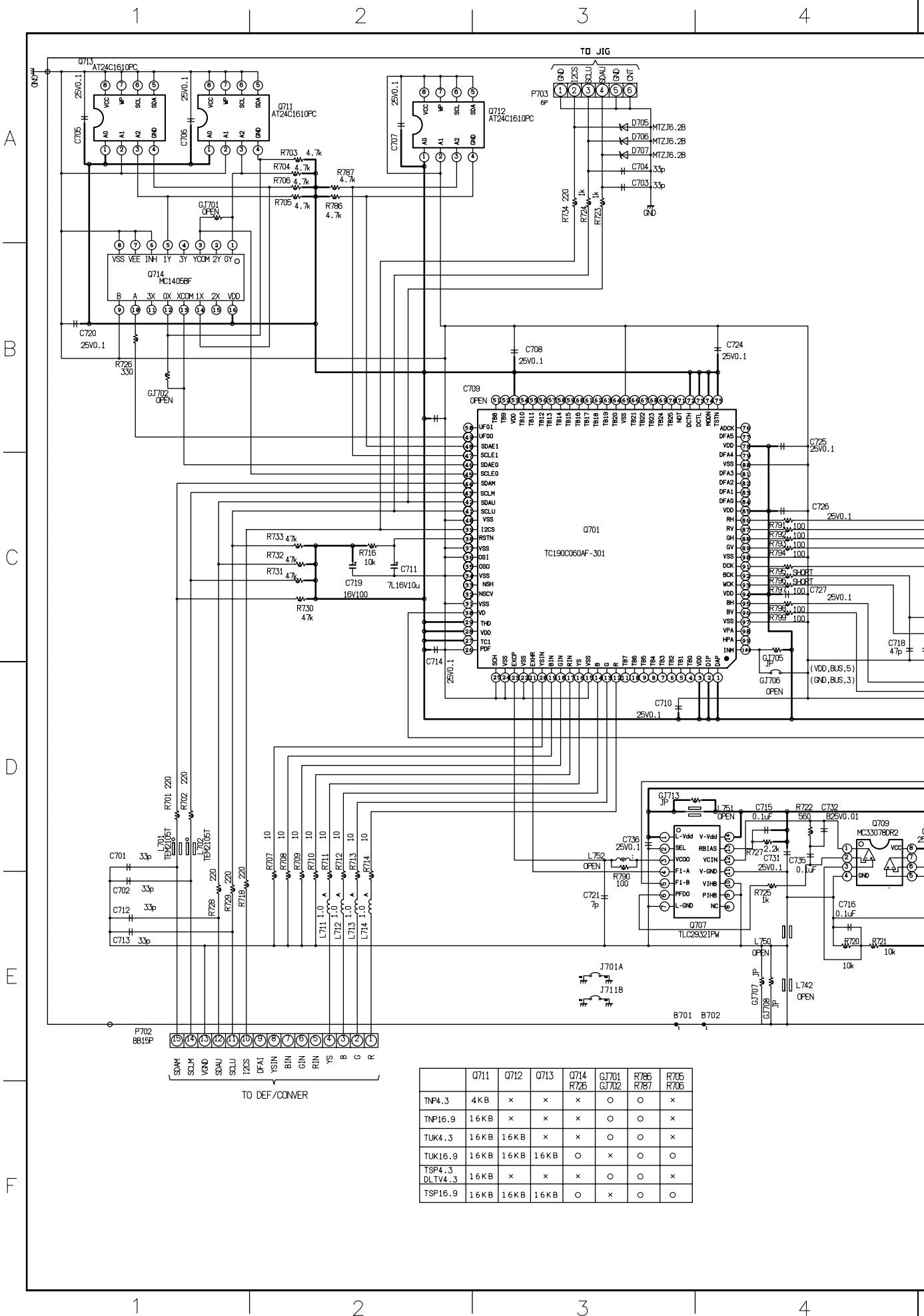


CRT-D/SVM
42PW23P

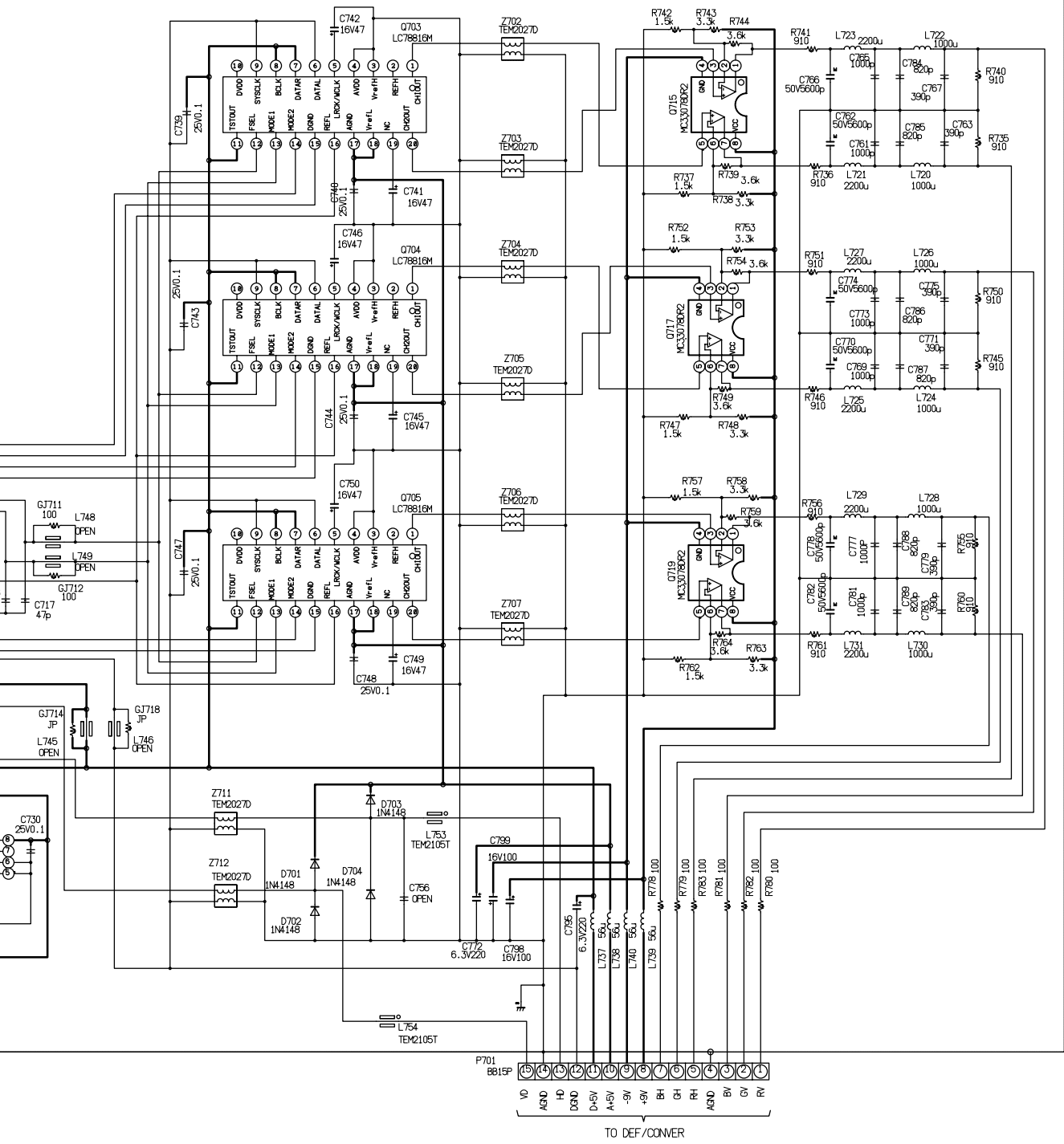


	U711	U712	U713	U714	U701	U709	U705	U706
	TNP4.3	TNP16.9	TUK4.3	TUK16.9	TSPA.3	TSP4.3	DLTV4.3	TSP16.9
4KB	x	x	x	x	x	x	x	x
16KB	x	x	x	x	x	x	x	x
16KB	x	x	x	x	x	x	x	x
16KB	x	x	x	x	x	x	x	x
16KB	x	x	x	x	x	x	x	x
16KB	x	x	x	x	x	x	x	x
16KB	x	x	x	x	x	x	x	x
16KB	x	x	x	x	x	x	x	x
16KB	x	x	x	x	x	x	x	x

D-CONVER
42PW23P



	U711	U712	U713	U714	U701	U702	U705	U706
TNP4.3	4KB	x	x	x	o	o	o	x
TNP16.9	16KB	x	x	x	o	o	o	x
TUK4.3	16KB	16KB	x	x	o	o	o	x
TUK16.9	16KB	16KB	16KB	o	x	o	o	o
TSP4.3	16KB	x	x	x	o	o	o	x
DLTV4.3	16KB	x	x	o	o	o	o	x
TSP16.9	16KB	16KB	16KB	o	x	o	o	o



D-CONVER
42PW23P

A

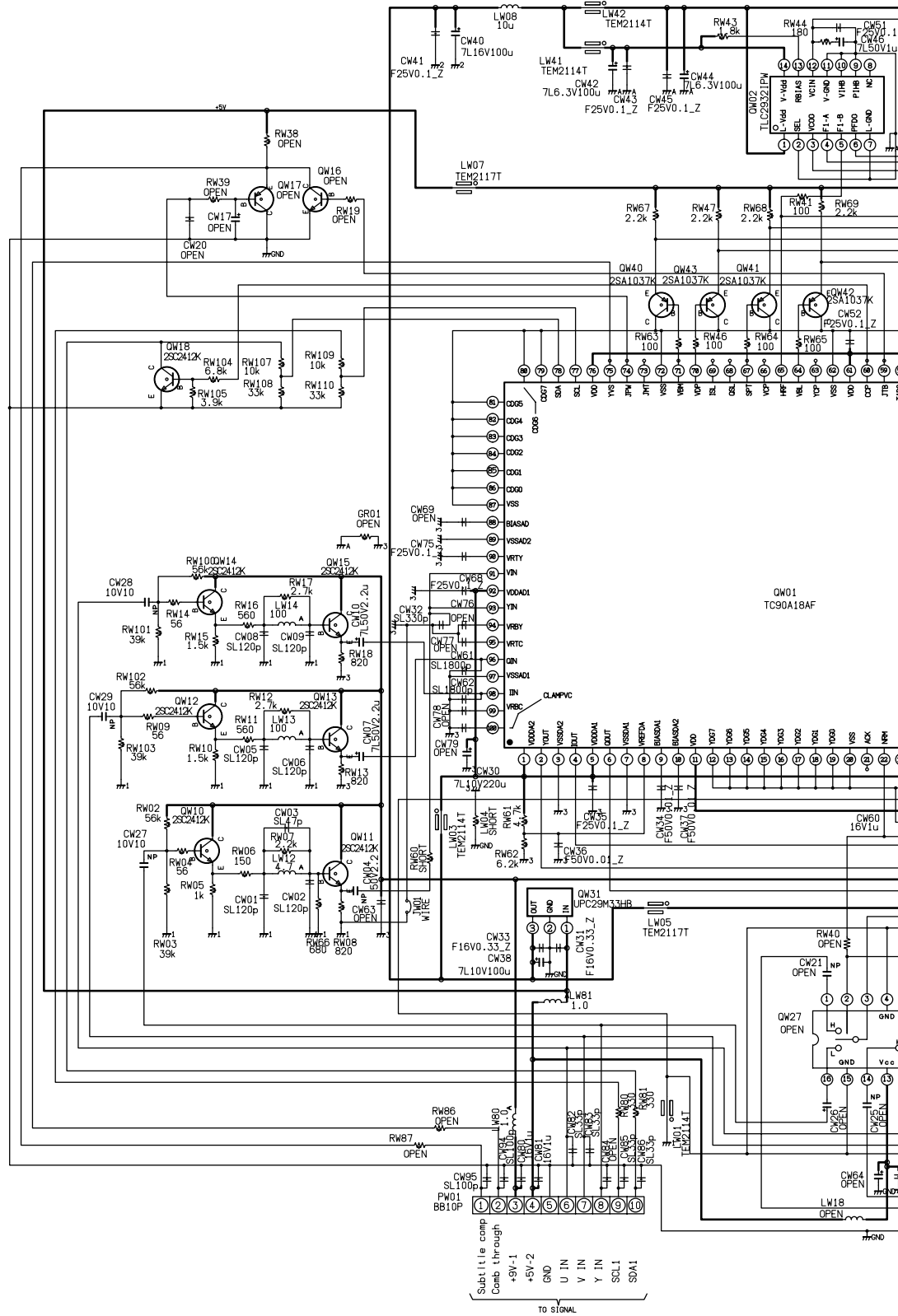
B

C

D

E

F



TO SIGNAL

Subtitle comp
 Comb through
 +9V-1
 +5V-2
 GND
 U IN
 V IN
 Y IN
 SCL1
 SD41

1 2 3 4 5 6 7 8

A A

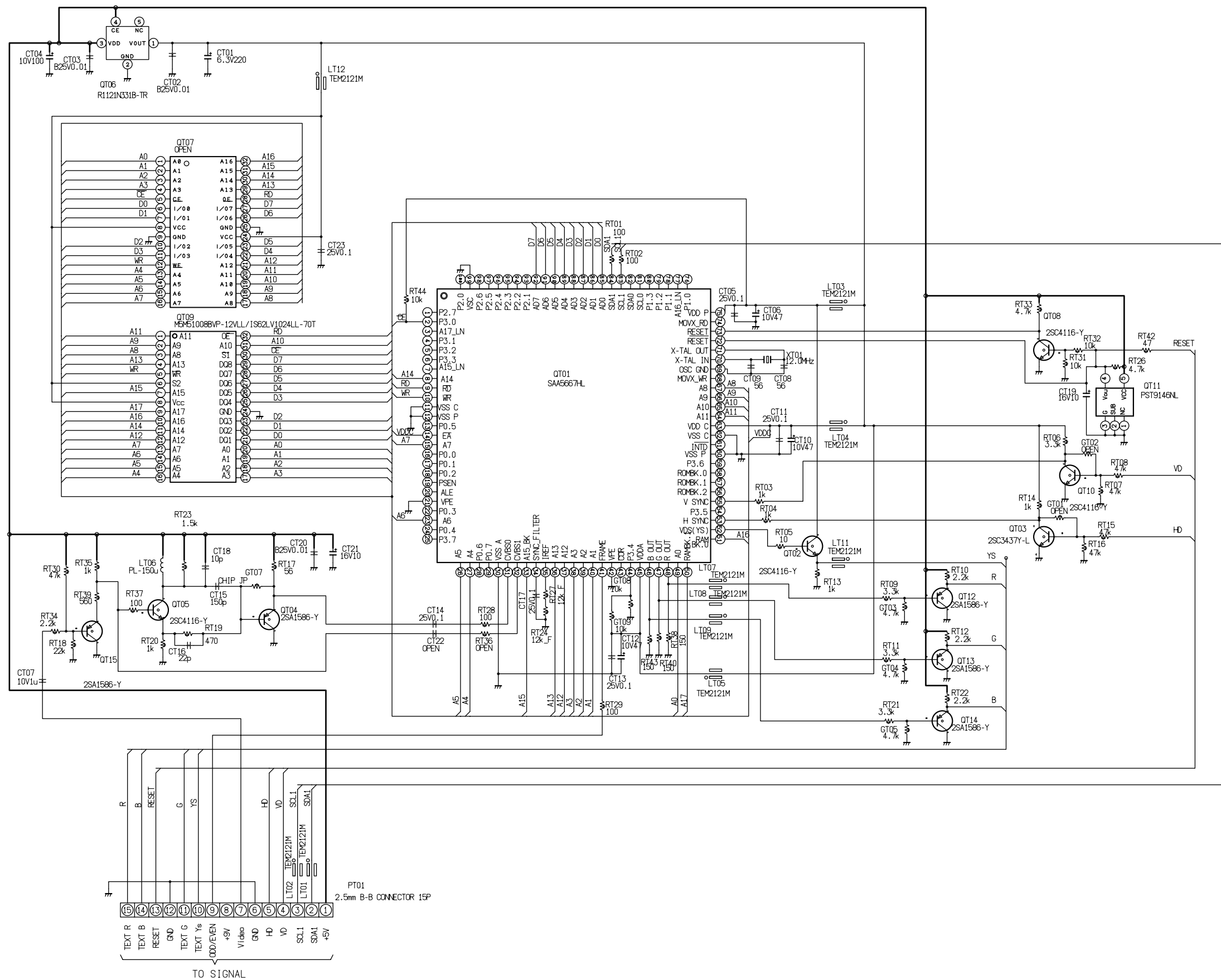
B B

C C

D D

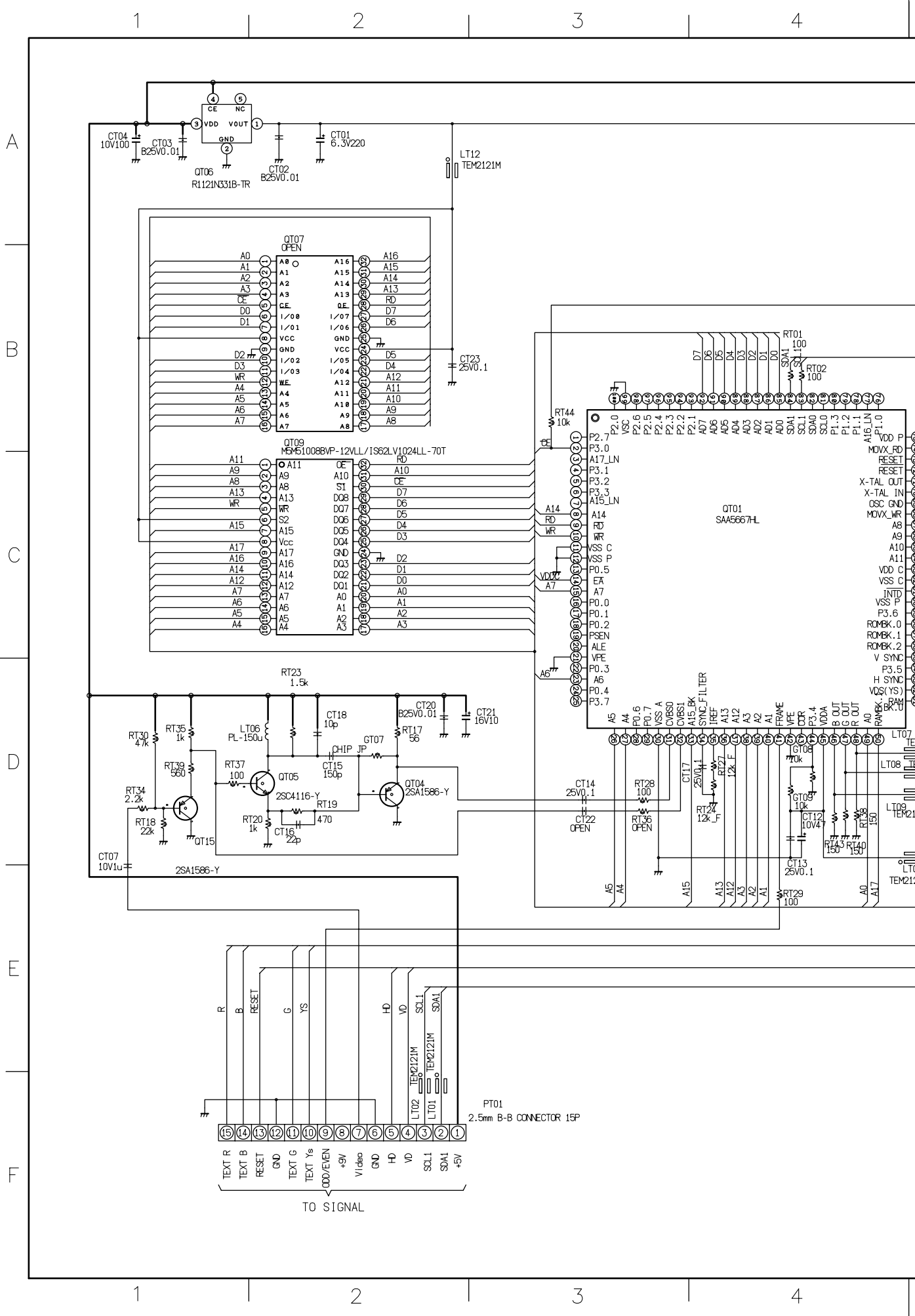
E E

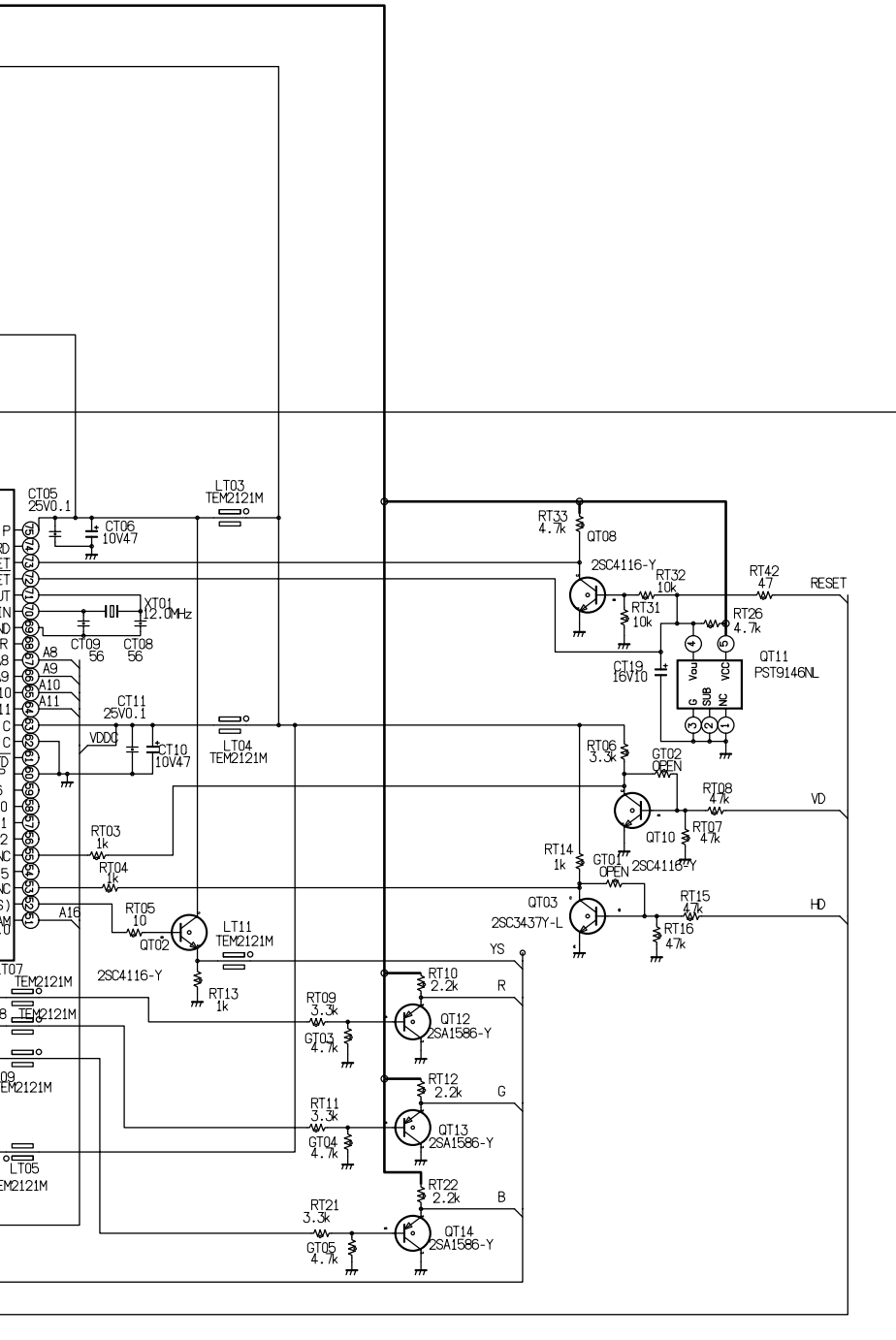
F F



TEXT-P2
42PW23P

1 2 3 4 5 6 7 8



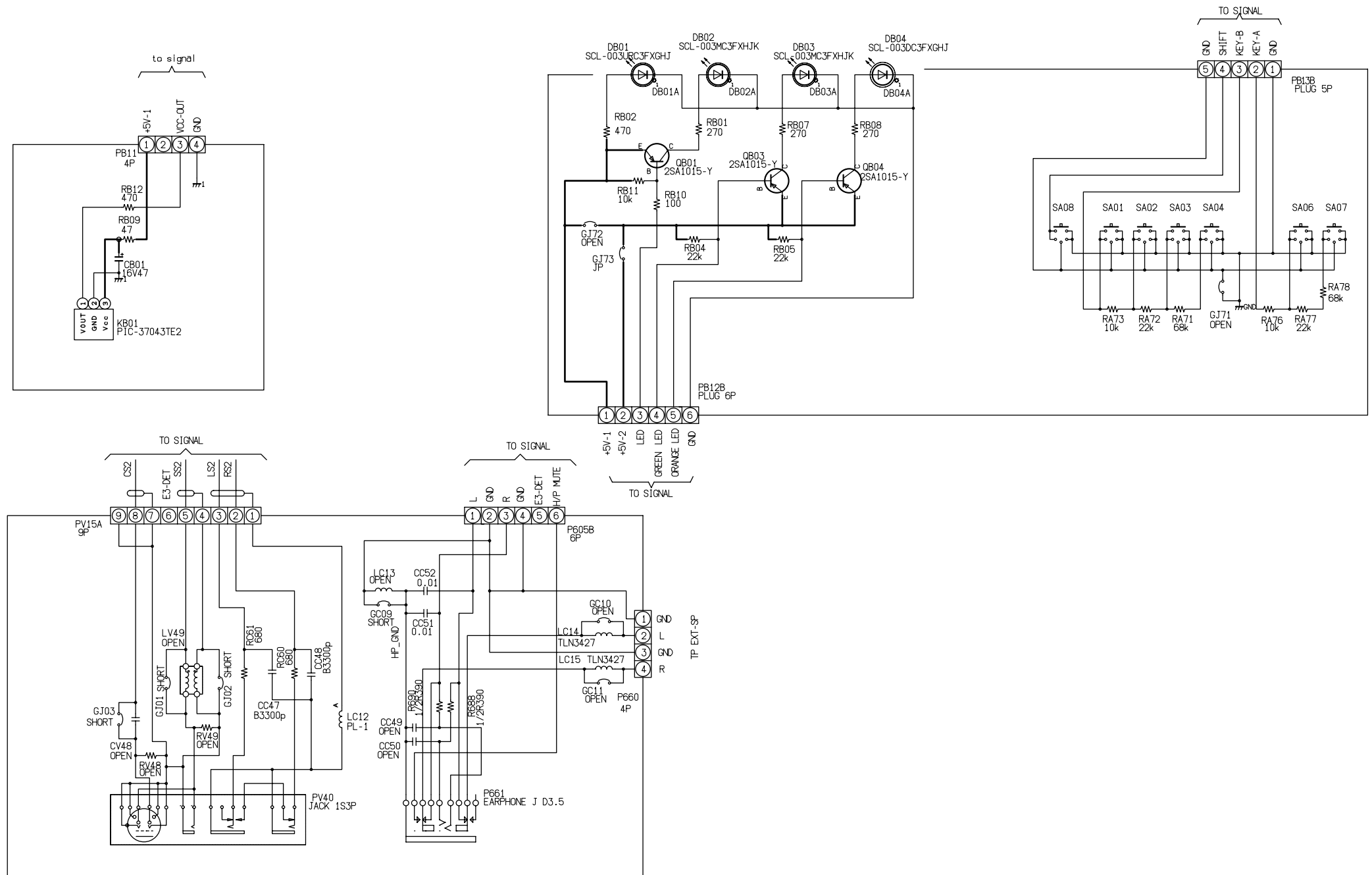


TEXT-P2
42PW23P

1 2 3 4 5 6 7 8

A
B
C
D
E
F

A
B
C
D
E
F



FRONT-IN/RMT/KEY
42PW23P

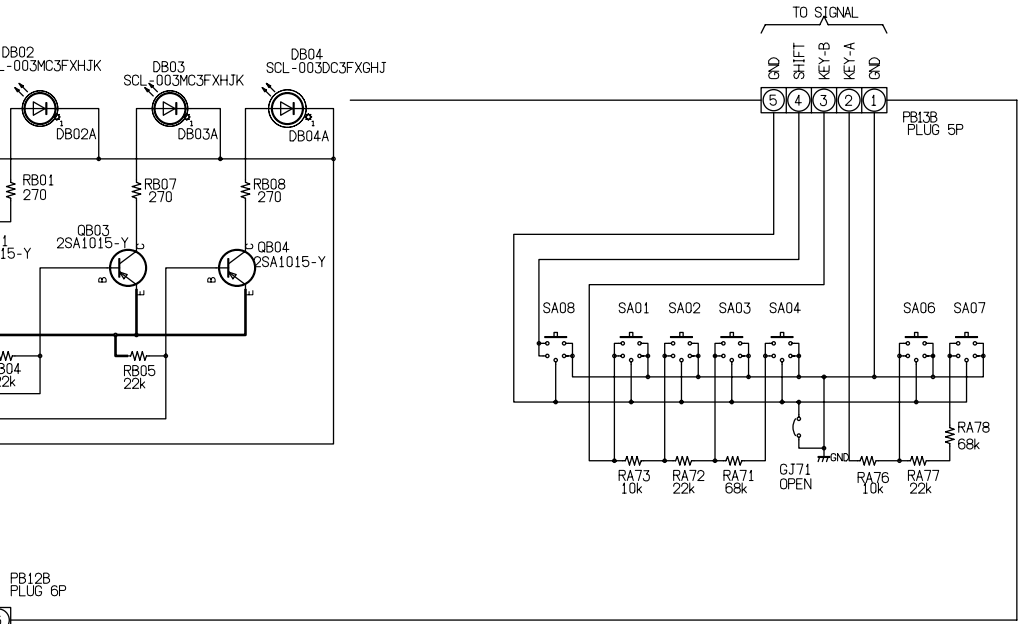
1 2 3 4 5 6 7 8

5

6

7

8



TO SIGNAL
 GND 5
 SHIFT 4
 KEY-B 3
 KEY-A 2
 GND 1

FRONT - IN/RMT/KEY
 42PW23P

A

B

C

D

E

F

5

6

7

8